

Parts & Service Manual

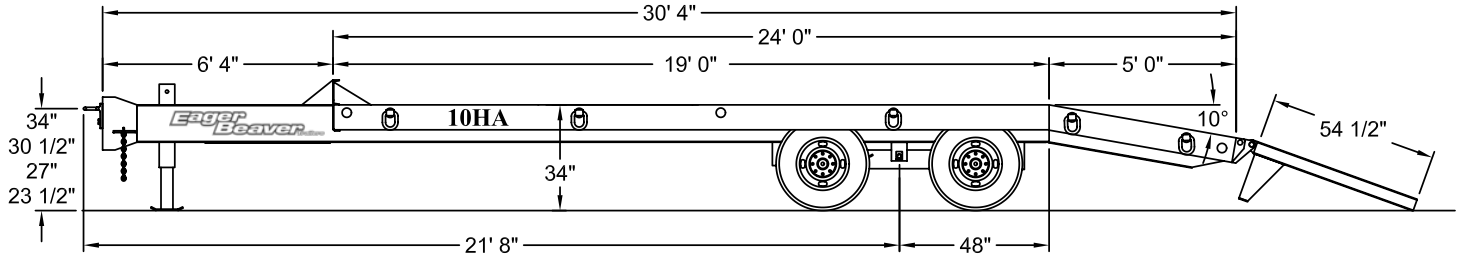
9-15 Ton HDB 10-12 Ton HA

Tag Trailers

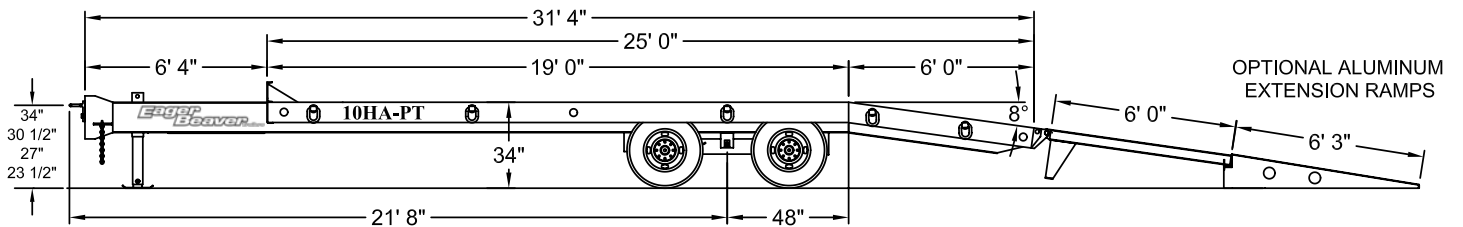
Table of Contents	Page #
Standard Model Drawings	2
Trailer Set-Up	4
9-15 Ton Decal Arrangement	6
9-12 Ton Decal List	7
15 Ton Decal List	8
10-12 HA Hub and Drum	9
10-12 HA Air Brake Components	10
Cam Shaft Determination Worksheet	11
Slack Adjuster Determination Worksheet	12
10-12 HDB Hub and Drum	13
9 HDB one and two-piece Hub and Drum	14
9-12 HDB Electric Brakes (begin April 2000)	15
9-12 HDB Electric Brakes (pre-April 2000)	16
9-12 Ton Suspension (begin April 2007)	17
9-12 Ton Suspension (pre-April 2007)	18
10-12 Ton Ramps and Linkage (standard)	19
Electric Hydraulic Ramps w/counter balance locks	20
Monarch Power-pack for hydraulic ramps	21
Patented Roto-Ring and Fixed D-Rings	22
Single Speed 12K Square Jack with Drop Foot	23
Jack and Toolbox Locations	24
Optional 2 Speed Landing Gear Installation	25
Tires & Wheels	26
Eye Hitch Assembly	27
ABS Parts List	28
ABS Air System Drawing	29
4S-2M Tandem Axle Air Schematic	30
PLUS Harness with LED Lights - Diagram	31
PLUS Harness with LED Lights - Parts List	32
Wiring schematic for Electric Brakes	33
Electric Brake - Brake Away Kit	34
Wiring schematic for ABS Brakes	35
15HDB Section	
Hutch 9700 Suspension	37
15HDB Hub and Drum	38
15HDB Electric Brakes (begin April 2000)	39
15HDB Electric Brakes (pre-April 2000)	40
15 Ton Ramps and linkage (standard)	41
Holland 2 Speed Square Jack (begin July 2011)	42
9-15 Ton Miscellaneous Parts	44
Operation & Service Manual	Appended

Standard Model Drawings

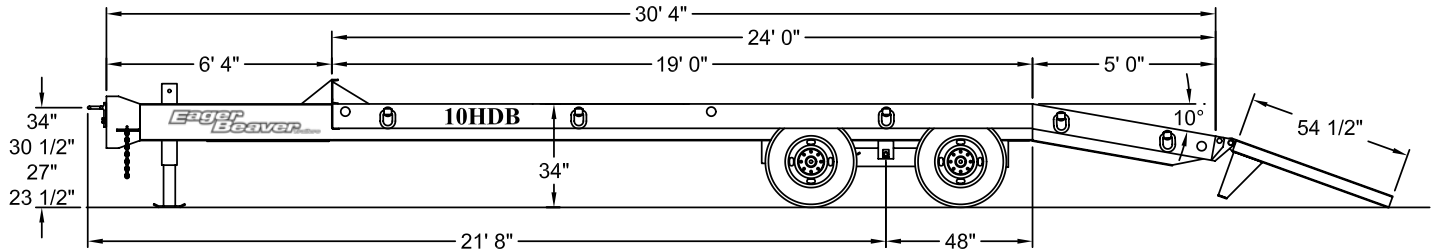
Model: 10HA



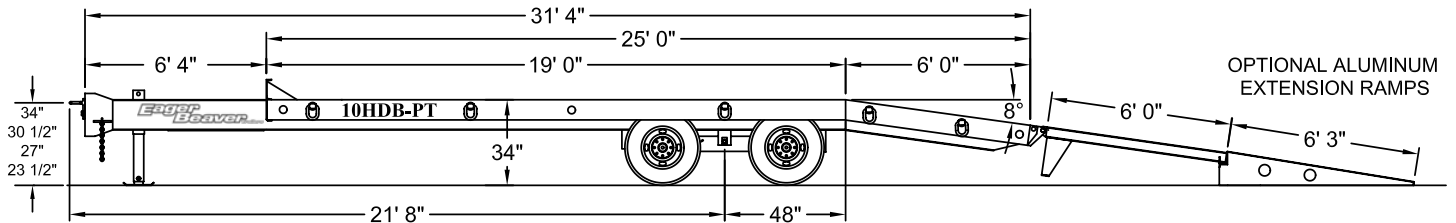
Model: 10HA-PT



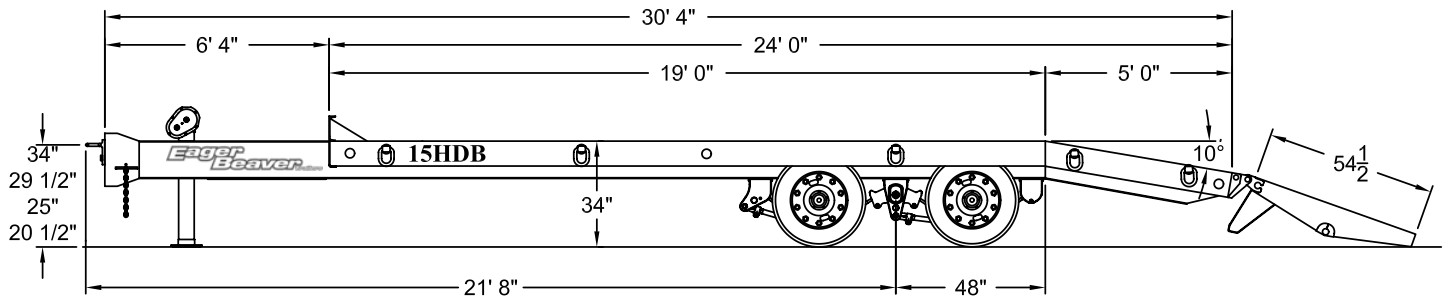
Model: 10HDB



Model: 10HDB-PT

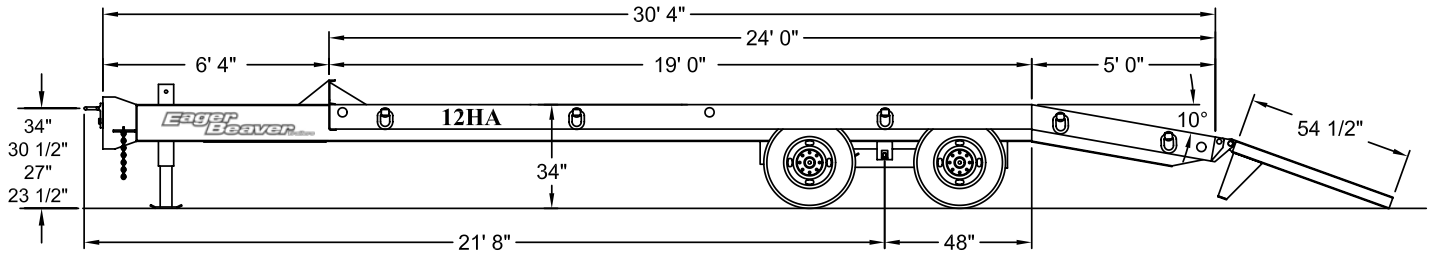


Model: 15HDB

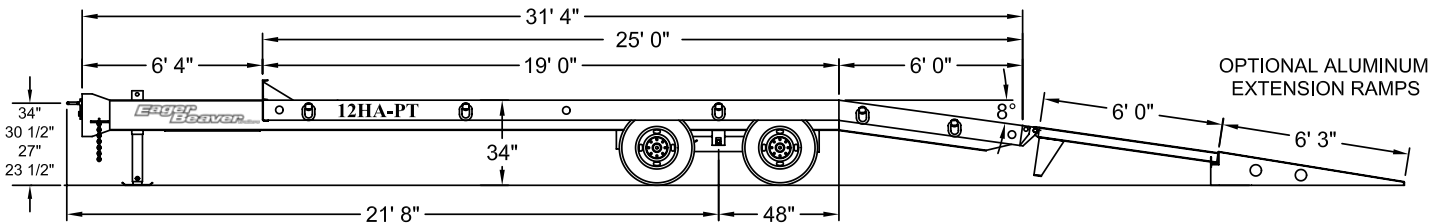


Standard Model Drawings

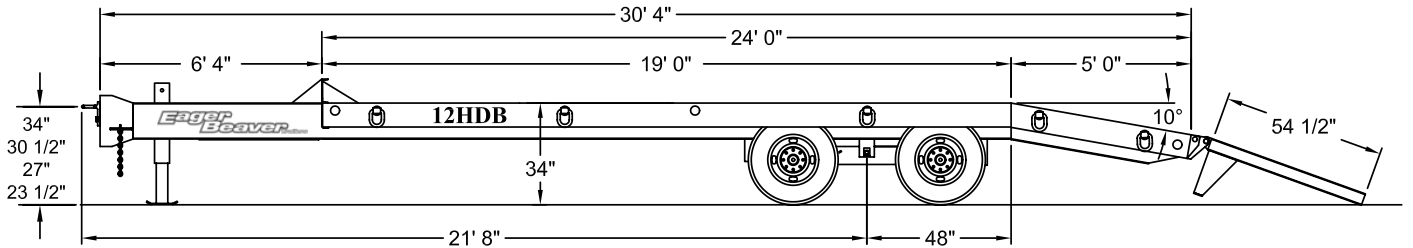
Model: 12HA



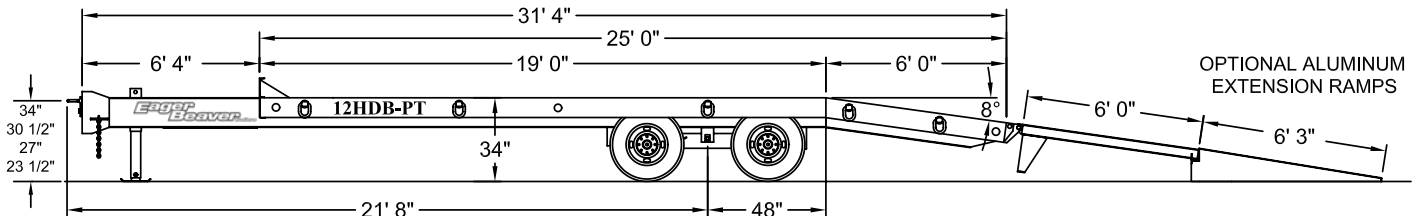
Model: 12HA-PT



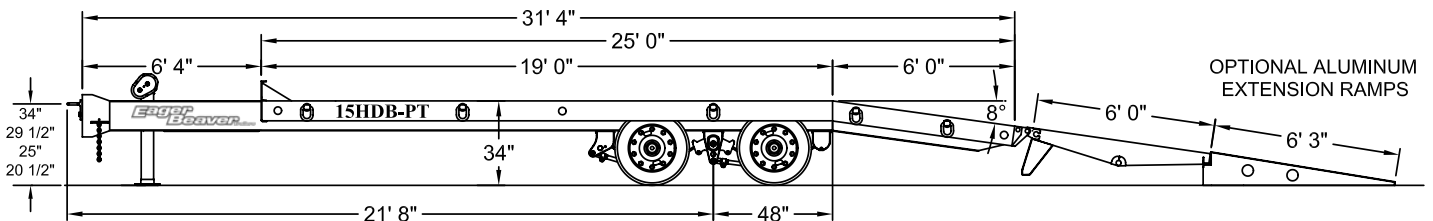
Model: 12HDB



Model: 12HDB-PT



Model: 15HDB-PT





Trailer Setup All tow Behind Trailers

Setting up a trailer, especially a tow behind, has several aspects that are often not known or are misunderstood. Here is a description of the setup procedures for tow behind trailers.

Pre-Delivery

Perform the described pre-delivery procedure for tow behind trailers. See the pre-delivery sheet provided with each trailer. You can request a copy from customer service.

Tow Hitch

We will assume that the tow hitch is already installed on the tow vehicle. It is important to make sure that the tow hitch is completely compatible with the trailer hitch in both size and capacity. Eager Beaver can provide an appropriately sized pintle hook or ball when the trailer is ordered or through our parts department.

Attach the lunette eye or ball hitch to the nose plate using the holes that, once hitched, allows the nose end of the trailer to be 2"- 3" high at the front with the trailer unloaded. This will aid the trailer suspension in providing better weight distribution to all axles especially the rear. Once the trailer is loaded the trailer should be level or just a bit high in the front. The hitch should preferably be installed with the retaining bolt below the hitch if possible. Tighten the hitch shaft nut first until the lock washer is completely compressed, then tighten the retaining bolt nut until its lock washer is completely compressed.

CAUTION! Do not use any lunette eye, ball hitch or tow hitch that is excessively loose, large, damaged in any way or binds when the trailer turns.

Truck Wiring

See the trailer service manual for a schematic that shows how to properly wire the tow vehicle. For electric brake trailers, Eager Beaver can supply a proper truck harness and a brake controller. Refer to the literature provided with the brake controller for greater detail in installing the controller. Only a good sealing type tap connectors should be used for splicing into the truck wiring to prevent corrosion. Truck harness and controller sold separately.

Trailer Setup

All tow Behind Trailers

Electrical Cable

Plug electrical nose harness into the tow vehicle receptacle. Make sure that there is sufficient slack to allow trailer to fully articulate without the cable getting too tight or, at the same time, not allow it to touch the ground when traveling straight.

Air Lines

On air brake trailers only, attach the two air line jumper hoses and check for the same slack clearance as for electrical cable.

Safety Chains

Attach the chains by looping them through an appropriate lash ring on the tow vehicle and then securing the hook to a chain link This is for our standard slip hook. If a safety hook with latch is used, then simply attach hook to the tow ring. The chains should attached to the tow vehicle by using a crossing pattern, under the trailer tongue. Make sure that there is sufficient slack in the chains to allow the trailer to fully articulate without the chains getting to tight and yet not having the chains drag on the ground, when trailer is straight.

CAUTION! Do not install chains on a tow vehicle that does not have an appropriate lashing ring for attaching chains.

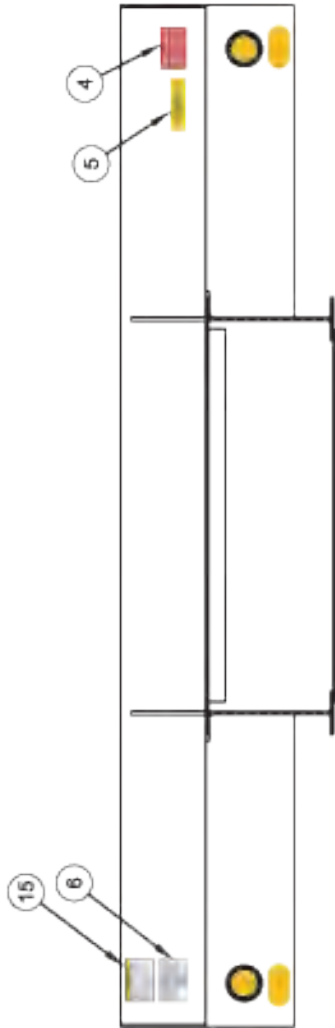
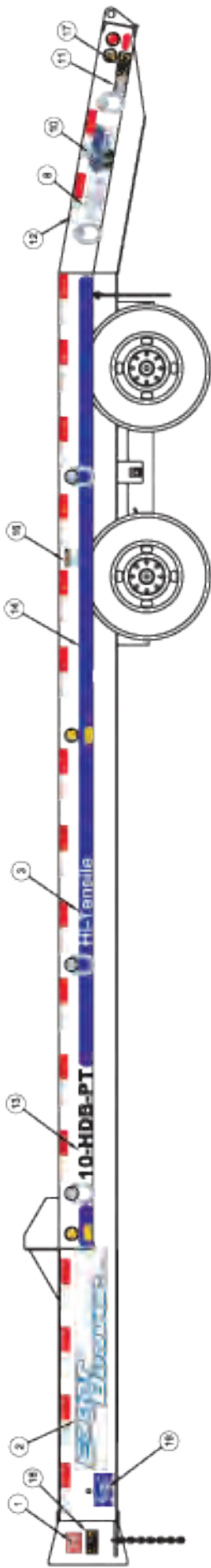
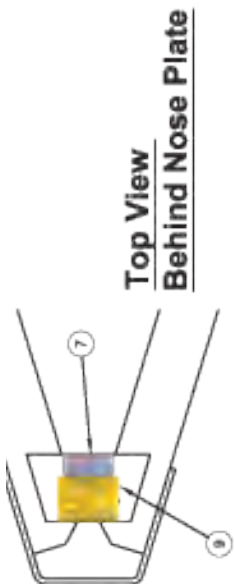
Break-away

On electric brake trailers, see the instructions supplied with the break-away switch. The instructions and miscellaneous parts for the break-away switch are shipped in the loose box of parts. The break-away system will only operate after both the coupling and safety chains have failed. The break-away is not a parking brake.

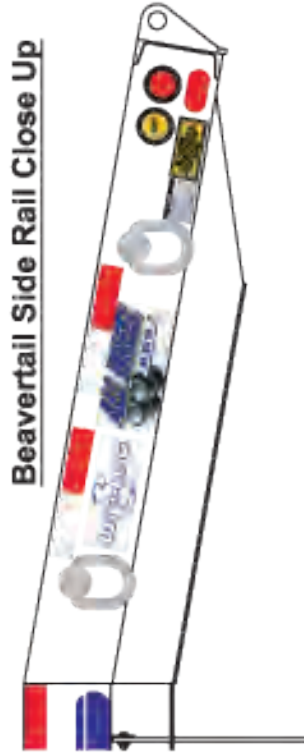
Conclusion

The final step in any setup is to make sure that all systems, electrical, air, hitching or break-away, all function properly before the trailer leaves the dealers yard. A safe trailer is good for your customer and good for business.

Decal Arrangement for 9-15 Ton Tag



Front of Headboard



Eager Beaver 9 - 12 Ton Tag Trailer Decals

ITEM	PART #	QTY	DESCRIPTION
1	2059014	1	TRAILER CONNECTED WARNING
2	2059370	2	LARGE BLUE EAGER BEAVER, GOLD TRIM
3	2059325	2	HI TENSILE, WHITE
4	2059016	1	CHECK WHEEL LUG
5	2059162	1	TIRE INFLATION INFO
6	2062207	1	SUSPENSION TORQUE
7	2062208	1	USA HARNESS DECAL (NOT IN KIT)
8	2060618	2	ROTO-RING
9	2062003	1	CAUTION TRAILER EQPT W / ABS BRAKES*
	2062006	1	CAUTION TRAILER EQPT W / ELECTRIC BRAKES
10	2061051	2	ALL-WHEEL ABS*
11	2062004	1	ABS INDICATOR LAMP INSTRUCTIONS*
12	2060608	50	RED-WHITE CONSPICUITY STRIPING
13	2059167	2	9HDB WHITE
	2059168	2	10HDB WHITE
	440223	2	10HDB-PT WHITE
	2059163	2	10HA WHITE
	440221	2	10HA-PT WHITE
	2059171	2	12HDB WHITE
	440224	2	12HDB-PT WHITE
	2059219	2	12HA WHITE
	440222	2	12HA-PT WHITE
14	2059249	40	BLUE STRIPE (EB YELLOW TRAILERS)
	2061081	40	WHITE STRIPE (RED, BLUE, BLACK TRAILERS)
15	2062209	1	WHEEL TORQUE
16	2062179	1	DANGER SPRING BRAKES*
17	2062173	1	REPLACE DAMAGED WOOD
18	2062174	1	PREVENT DAMAGE - LOAD ON EVEN GROUND
19	2062178	1	COLD DUAL VIN PLATE (NOT IN KIT)

* ONLY ON TRAILERS WITH AIR BRAKES (HA Model)

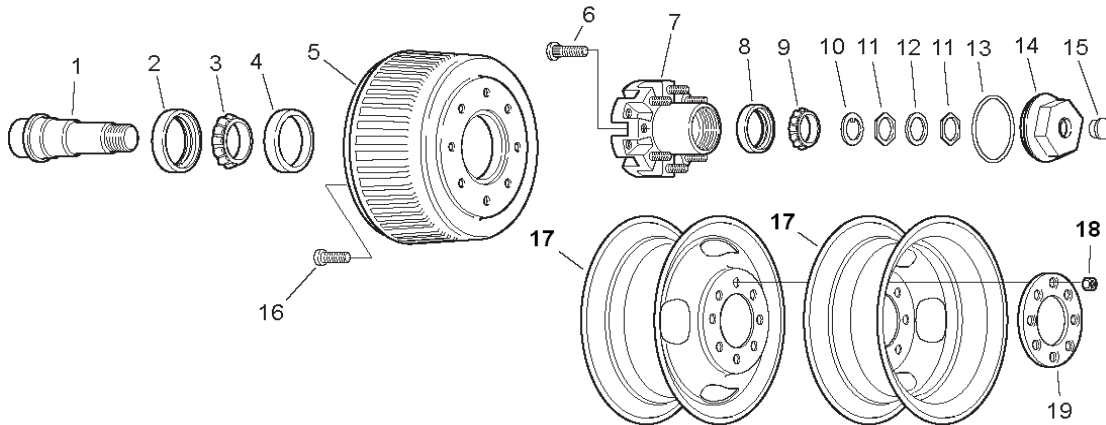
PART #	COMPLETE DECAL KIT**
2062201	10HDB (BLUE STRIPING)
2062202	10HDB (WHITE STRIPING)
2062203	10HA (BLUE STRIPING)
2062204	10HA (WHITE STRIPING)

** SPECIFY IF "PT" MODEL WHEN ORDERING

Eager Beaver 15 Ton Tag Trailer Decals

ITEM	PART #	QTY	DESCRIPTION
1	2059014	1	TRAILER CONNECTED WARNING
2	2059370	2	LARGE BLUE EAGER BEAVER, GOLD TRIM
3	2059325	2	HI TENSILE, WHITE
4	2059016	1	CHECK WHEEL LUG
5	2059162	1	TIRE INFLATION INFO
6	440025	1	HUTCH H9700 TORQUE
7	2062208	1	USA HARNESS DECAL
8	2060618	2	ROTO-RING
9	2062006	1	CAUTION TRAILER EQPT W / ELECTRIC BRAKES
10			Not Used on Electric Brake Trailers
11			Not Used on Electric Brake Trailers
12	2060608	50	RED-WHITE CONSPICUITY STRIPING
13	440215	2	15HDB WHITE
	440225	2	15HDB-PT WHITE
14	2059249	40	BLUE STRIPE (EB YELLOW TRAILERS)
	2061081	40	WHITE STRIPE (RED, BLUE, BLACK TRAILERS)
15	2062209	1	DEXTER WHEEL TORQUE
16			Not Used on Electric Brake Trailers
17	2062173	1	REPLACE DAMAGED WOOD
18	2062174	1	PREVENT DAMAGE - LOAD ON EVEN GROUND
19	2062178	1	COLD DUAL VIN PLATE

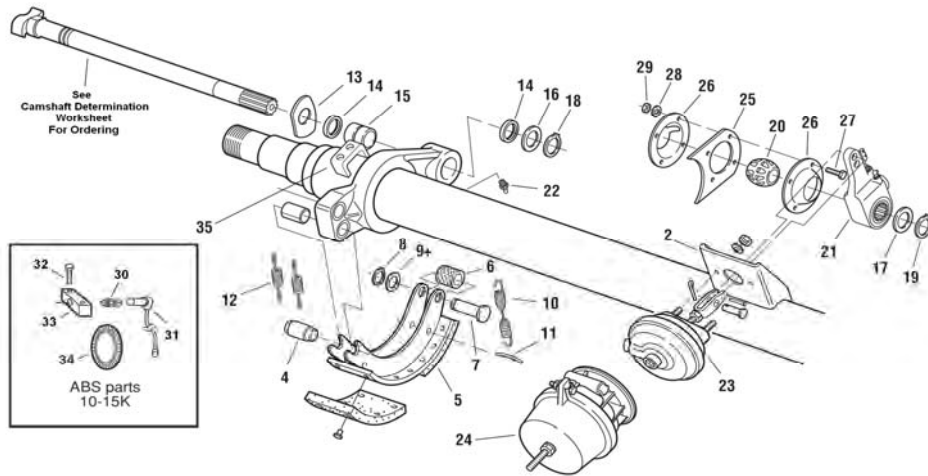
Eager Beaver Trailers 10HA & 12 HA



Item Description	Part # 10 HA	Part # 12 HA
1 Axle Beam (36"SC, 71"TR)	2057591	2057592
Axle Beam (43"SC, 71"TR)	Special Order	Special Order
Axle Beam (43"SC, 77"TR)	Special Order	Special Order
2 Seal	2057502	2057502
3 Inner Bearing	2057503	2057585
4 Inner Race	2057504	2057586
5 Drum with ABS Toner Ring *	2062126	2062127
Drum (Pre ABS)	2057561	2057507
6 Stud	2057589	2057589
7 Hub, Hi-profile (shown)	2057562	2062279
7 Hub, Lo-Pro (for 14.5" rim only)	N/A	2057508
8 Outer Race	2057509	2057588
9 Outer Bearing	2057510	2057587
10 Spindle Washer	2059067	2059067
11 Spindle Nut	2057511	2057511
12 Tang Washer	2059068	2059068
13 Oil Cap O-Ring	2057513	2057513
14 Oil Cap	2059371	2059371
15 Oil Cap Plug	2057515	2057515
16 Drum Mounting Bolt	2057518	2057518
17 Rim 16.5 X 6.75	2057640	N/A
Rim 16.0 X 6.00 (since 1998)	2061092	2061092
Rim 14.5 X 7.00	N/A	2057641
18 Wheel Mounting Nut	2057646	2057646
19 Clamp Ring	2057083	2057083
Complete Axle (36"SC, 71"TR)	2059427	2059428
Complete Axle (43"SC, 71"TR)	331075	2061098
Complete Axle (43"SC, 77"TR)	331076	331078
Mounted Spare 235/85R16E (1998-2/2008)	no longer stocked	
Mounted Spare 235/80R16E (begin 3/2008)	2062301	2062301

* ABS Required By Law on March 1, 1998. ABS began shipping in mid-Feb 1998.

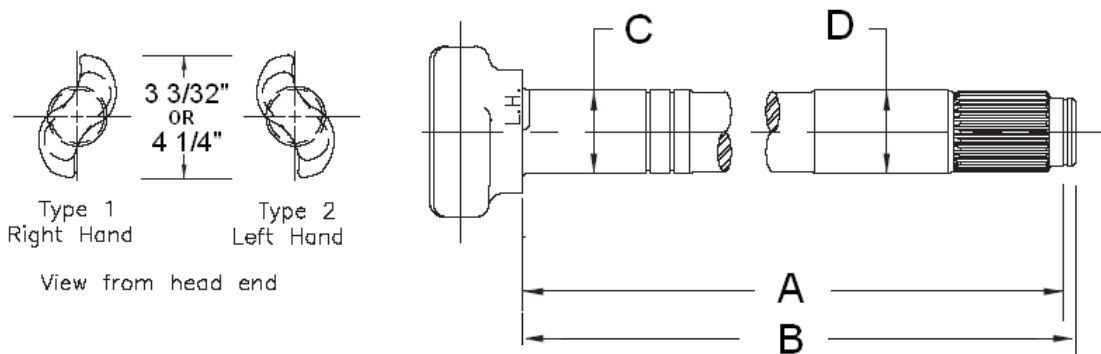
Eager Beaver Trailers 10 & 12 HA Air Brake Components



Item	Description	10 HA Part #	12 HA Part #
1	Camshaft LH or RH	See Worksheet	See Worksheet
2	Air Chamber Bracket	2061091	2061091
3	Bushing Spider Anchor	In Brake Repair Kit	In Brake Repair Kit
4	Anchor Pin	In Brake Repair Kit	In Brake Repair Kit
5	"PQ" Brake Shoe (2 Per Wheel)	2060851	2060852
	"P" Brake Shoe (2 Per Wheel)	2060492	2060493
6	Roller	In Brake Repair Kit	In Brake Repair Kit
7	Roller Pin	In Brake Repair Kit	In Brake Repair Kit
8	Roller Pin Retainer	In Brake Repair Kit	In Brake Repair Kit
9	Roller Pin Spacer	In Brake Repair Kit	+ Not Used
10	Retractor Spring	In Brake Repair Kit	In Brake Repair Kit
11	Retainer Pin	In Brake Repair Kit	In Brake Repair Kit
12	Shoe Keeper Spring	In Brake Repair Kit	In Brake Repair Kit
	"PQ" Brake Repair Kit (for 1 Wheel)	2060900	2060900
	"P" Brake Repair Kit (for 1 Wheel)	2058058	2058058
13	"D" Washer	In CAM Repair Kit	In CAM Repair Kit
14	Grease Seal	In CAM Repair Kit	In CAM Repair Kit
15	Camshaft Bushing	In CAM Repair Kit	In CAM Repair Kit
16	Washer- Camshaft Spider End	In CAM Repair Kit	In CAM Repair Kit
17	Camshaft Washer	In CAM Repair Kit	In CAM Repair Kit
18	Retainer - Camshaft	In CAM Repair Kit	In CAM Repair Kit
19	Retainer - Camshaft End	In CAM Repair Kit	In CAM Repair Kit
20	Camshaft Support Bushing	In CAM Repair Kit	In CAM Repair Kit
21	Auto or Manual Slack Adjuster	See Worksheet	See Worksheet
22	Grease Fitting	In CAM Repair Kit	In CAM Repair Kit
	CAMSHAFT Repair Kit	2060632	2060632
23	Air Chamber	2059400	2059401
24	Spring Brake Chamber	2062026	2062329
25	Plate - Camshaft Support Bracket	2060363	2060363
26	Plate Bushing Retainer	2059399	2059399
27	Bolt, Retainer Plate	2060638	2060638
28	Lock Washer	2060637	2060637
29	Nut	2060636	2060636
30	ABS Sensor Retaining Clip	2062085	2062085
31	ABS Sensor with 1' Cable	2062086	2062086
	ABS Sensor 6' Extension Cable	2062102	2062102
32	Mounting Screw, Sensor Block	2060631	2060631
33	ABS Sensor Mounting Block	2060633	2060633
34	ABS Toner Ring (Supplied with Drum)	Special Order	Special Order
35	ABS Sensor Block Base (Weld On)	2060634	2060634

Note: "P" Style Both Ends Open, Used Until 1992
 "PQ" Style One End Open, Used Since 1993

Cam Shaft Determination & Ordering Worksheet



Step 1 Decide whether the cam is a LEFT or a RIGHT hand and whether it is a SMALL (3 3/32") or LARGE (4 1/4 ") head.

Step 2 Measure the length of the cam. It is best to provide both the dimensions "A", the distance from head to snap ring groove, and dimension "B", the distance from the head to the end of the cam.

Step 3 Measure the diameter of the cam at both "C", just behind the head, and "D" just inside the spline.

Step 4 Finally, determine whether the cam is a 10 spline or 28 tooth spline.

Please fill in the chart below when ordering a cam shaft

HEAD STYLE

LEFT HAND SMALL	<input type="checkbox"/>
RIGHT HAND SMALL	<input type="checkbox"/>
LEFT HAND LARGE	<input type="checkbox"/>
RIGHT HAND LARGE	<input type="checkbox"/>

DIMENSION

"A"	<input type="text"/>
"B"	<input type="text"/>
"C"	<input type="text"/>
"D"	<input type="text"/>

SPLINE

10	<input type="checkbox"/>
28	<input type="checkbox"/>

Fax the completed worksheet to Eager Beaver Trailers @ 856-423-0999.

Your Name: _____.

Your Voice Tel #: _____.

Eager Beaver Trailers

Slack Adjuster Determination & Ordering Worksheet

When ordering Slack Adjusters, please provide the following information:

1. Whether Automatic or Manual
2. Whether adjuster arm (which attaches to air brake chamber) is Straight or Curved
3. Whether it has 10 or 28 Splines
4. Manufacturer name and any part numbers from old slack adjuster

Circle Applicable Feature on Below Matrix

		Slack Adjuster	
		EB Part #	Application
Automatic Begin Oct 1994	Straight	10 Spline	2060873 C.B. 10-12 Ton **
			2062263 Spicer, Haldex 20-25 Ton (pre-'97) *
	Curved	28 Spline	2060934 C.B. 10-12 Ton **; 20-25 Ton DX Axles ^
			2060971 Spicer, Haldex 35-60 Ton *
		10 Spline	2060940 C.B., Lowboys Only Begin 7/2009
			2060755 Spicer, Haldex 20-25 Ton (older) *
Manual Before Oct 1994	Straight	10 Spline	2058077
	Curved	10 Spline	2059480

* Spicer Automatic Slack Adjuster Bracket 2061084 Not included with Slack

** 10K axles - attach Brake Chamber Clevis to 5" Hole in Slack; 12K uses 6" Hole in Slack

^ 22.5K Dexter Axles used intermittently between 2-2014 & 2-2015; and extensively after 2-2015

Original Slack Manufacturer:

OEM Part Number on Original Slack

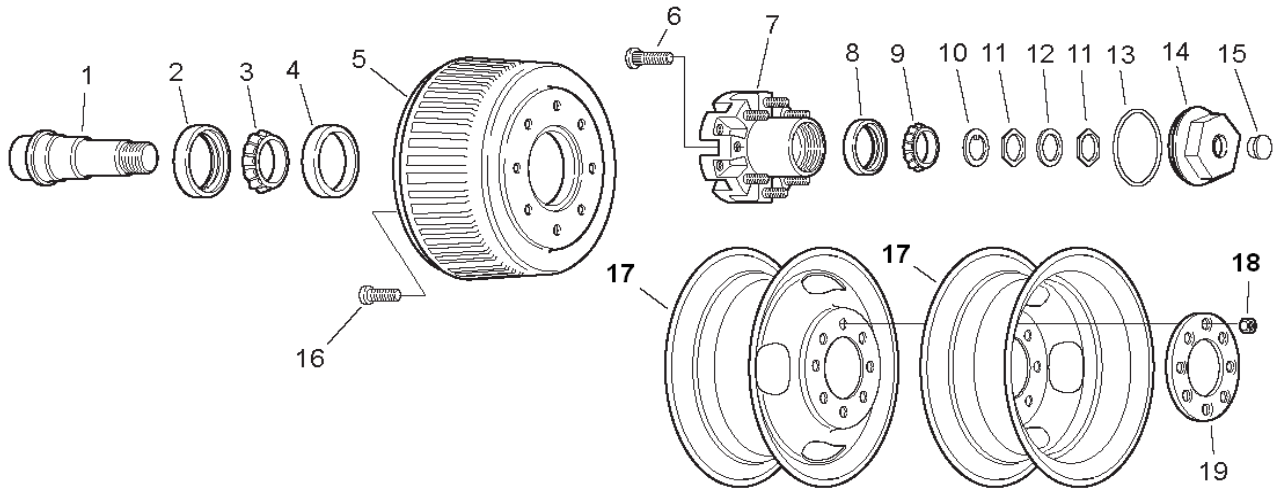
Fax your order to Eager Beaver Trailer Parts: 856-423-0999

Your Name:

Your Voice Telephone:

Eager Beaver Trailers - 548 Swedesboro Ave, Mickleton, NJ 08056
Telephone 800-338-7088; FAX 856-423-0999

Eager Beaver Trailers 10HDB - 12HDB Hub & Drum (7 Bolt Backing Plate)



Item Description	Part #	Part #
	10HDB	12HDB
1 Axle Beam (36"SC, 71" TR)	2059258	2059259
Axle Beam (43"SC, 71" TR)	2059263	Special Order
Axle Beam (43"SC, 77" TR)	Special Order	Special Order
2 Seal	2057502	2057502
3 Inner Bearing	2057503	2057585
4 Inner Race	2057504	2057586
5 Drum	2057561	2057507
6 Stud	2057589	2057589
7 Hub, Hi-profile (shown)	2057562	2062279
7 Hub, Lo-Pro (for 14.5" rim only)	N/A	2057508
8 Outer Race	2057509	2057588
9 Outer Bearing	2057510	2057587
10 Spindle Washer	2059067	2059067
11 Spindle Nut	2057511	2057511
12 Tang Washer	2059068	2059068
13 Oil Cap O-Ring	2057513	2057513
14 Oil Cap	2059371	2059371
15 Oil Cap Plug	2057515	2057515
16 Drum Mounting Bolt	2057518	2057518
17 Rim 16.5 X 6.75	2057640	N/A
Rim 16.0 X 6.00 (since 1998)	2061092	2061092
Rim 14.5 X 7.00	N/A	2057641
18 Wheel Mounting Nut	2057646	2057646
19 Clamp Ring	2057083	2057083
Complete Axle (36"SC, 71"TR)	2057564	2057522
Complete Axle (43"SC, 71"TR)	2057565	331087
Complete Axle (43"SC, 77"TR)	331086	331088
Mounted Spare 235/85R16E (1998-2/2008)	no longer stocked	
Mounted Spare 235/80R16E (Begin 3/2008)	2062301	2062301

Model 9HDB with 12 1/4" x 3 3/8" Electric Brakes & 7 Hole Brake Flange

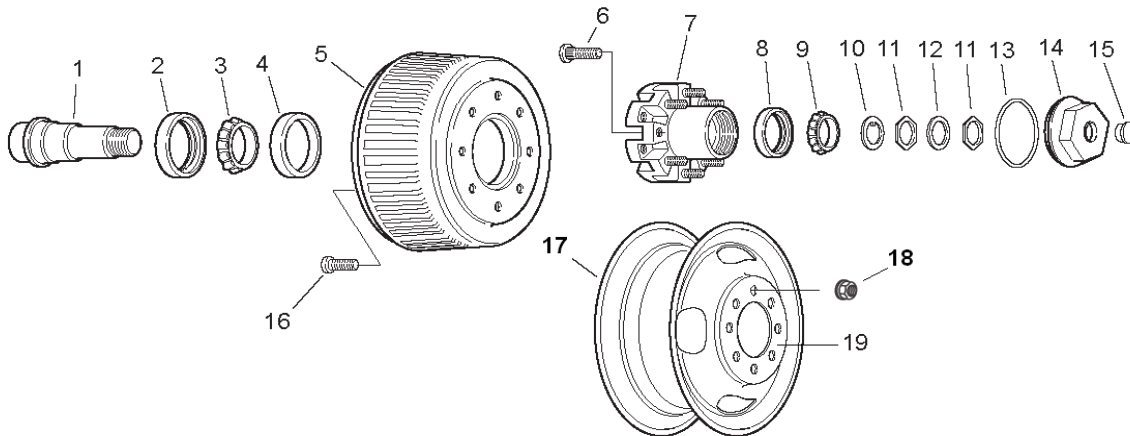
Two-Piece Hub & Drum (used from Feb 1990 until Aug 2009) *

One-Piece Hub & Drum (used Aug 2009 - May 2013) *

New Design Two-Piece Hub & Drum introduced May 2013

New Design 2-Piece Hub & Drum is NOT interchangeable with the pre-2009 2-piece design

-- Note: Two-Piece Hub & Drum Shown --



Item Description	Pre Aug 2009 2-Piece Hub & Drum	Aug 2009-May 2013 1-Piece Hub & Drum	Begin May 2013 2-Piece Hub & Drum
1 Axle Beam (37"SC, 65" TR)	2059288	2059288	2059288
Axle Beam (43"SC, 71" TR)	2060758	2060758	2060758
2 Seal	2059252	2059252	2059252
3 Inner Bearing	2057510	2057510	2057510
4 Inner Race	2057509	2057509	2057509
5 Drum (2-Piece use only)	2059257	NA	009-123-01
6 Stud, 5/8"-18	2057589	2057589	2057589
7 Hub, Hi-profile (2-Piece use only)	2059256	NA	008-430-03
One-Piece Hub & Drum Assy	NA	2059375	NA
8 Outer Race	2054856	2054856	2054856
9 Outer Bearing	2054855	2054855	2054855
10 Spindle Washer	2060354	2060354	2060354
11 Spindle Nut	2060352	2060352	2060352
12 Tang Washer	2059261	2059261	2059261
13 Oil Cap O-Ring	2057513	2059372	2059372
14 Oil Cap	2059371	2059373	2059373
15 Oil Cap Plug	2057515	2057515	2057515
16 Drum Mounting Bolt	2057518	NA	2057518
17 Rim 16.5 X 6.75	2057640	2057640	2057640
18 Nut, 5/8" - 18, 90° Cone	2057646	2057646	2057646
19 Clamp Ring (use with 90° Cone nut)	2057083	2057083	2057083
Complete Axle (37"SC, 65"TR)	Use 2059084 *	Use 2059084 *	2059084
Complete Axle (43"SC, 71"TR)	331031 *	Special Order	Special Order

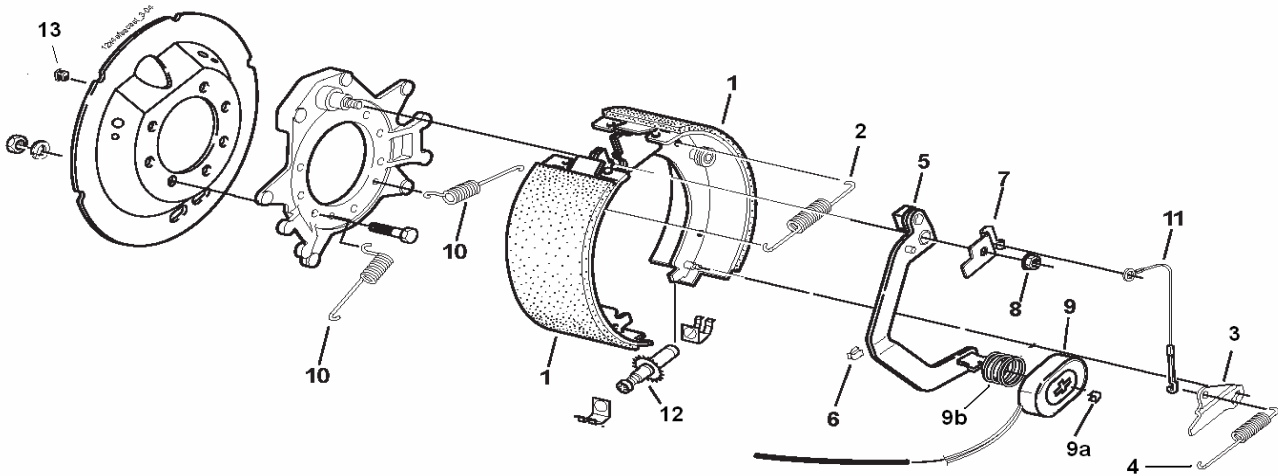
* Replaced by new style 2-piece hub & drum effective May 2013

* Same 7 Bolt Hole Brake Assembly used in both 1 and 2-Piece Hub & Drums

Eager Beaver Trailers

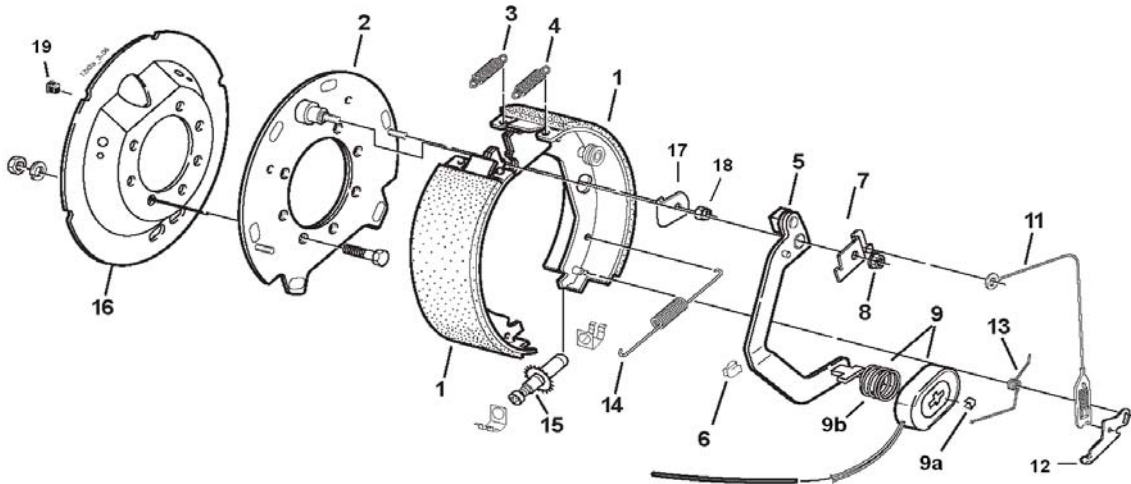
"New Style" 9HDB - 12HDB Electric Brake Components

Cast Steel Brake Flange after April 2000



Item Description	9HDB Part #	10HDB Part #	12 HDB Part #
1 Shoe & Lining Kit LH	2062069	2062071	2062073
Shoe & Lining Kit RH	2062070	2062072	2062074
2 Shoe Return Spring	2062049	2062049	2062049
3 Adjuster Lever LH	2062052	2062052	2062052
Adjuster Lever RH	2062053	2062053	2062053
4 Adjuster Spring	2062054	2062054	2062054
5 Actuator Arm LH	2059349	2059349	2059351
Actuator Arm RH	2059350	2059350	2059352
6 Wire Clip	2060742	2060742	2060742
7 Actuator Arm Retainer LH	2057557	2057557	2057557
Actuator Arm Retainer RH	2057558	2057558	2057558
8 Flange Nut	2060351	2060351	2060351
9 Magnet Kit	2059353	2059353	2059354
9a Magnet Clip	2059419	2059419	2059419
9b Magnet Spring	2059420	2059420	2059420
10 Centering Spring (2 pr brake)	2062050	2062050	2062050
11 Adjuster Cable	2062051	2062051	2062051
12 Adj Screw Assy LH	2062055	2062055	2062055
Adj Screw Assy RH	2062056	2062056	2062056
13 Wire Grommet	2054843	2054843	2054843
Complete Brake Assy LH	2059187	2059033	2059035
Complete Brake Assy RH	2059188	2059034	2059036

**Eager Beaver Trailers "Old Style" 9HDB - 12HDB Electric Brake Components
Fabricated Steel 7 Bolt Backing Plate (pre April 2000)**

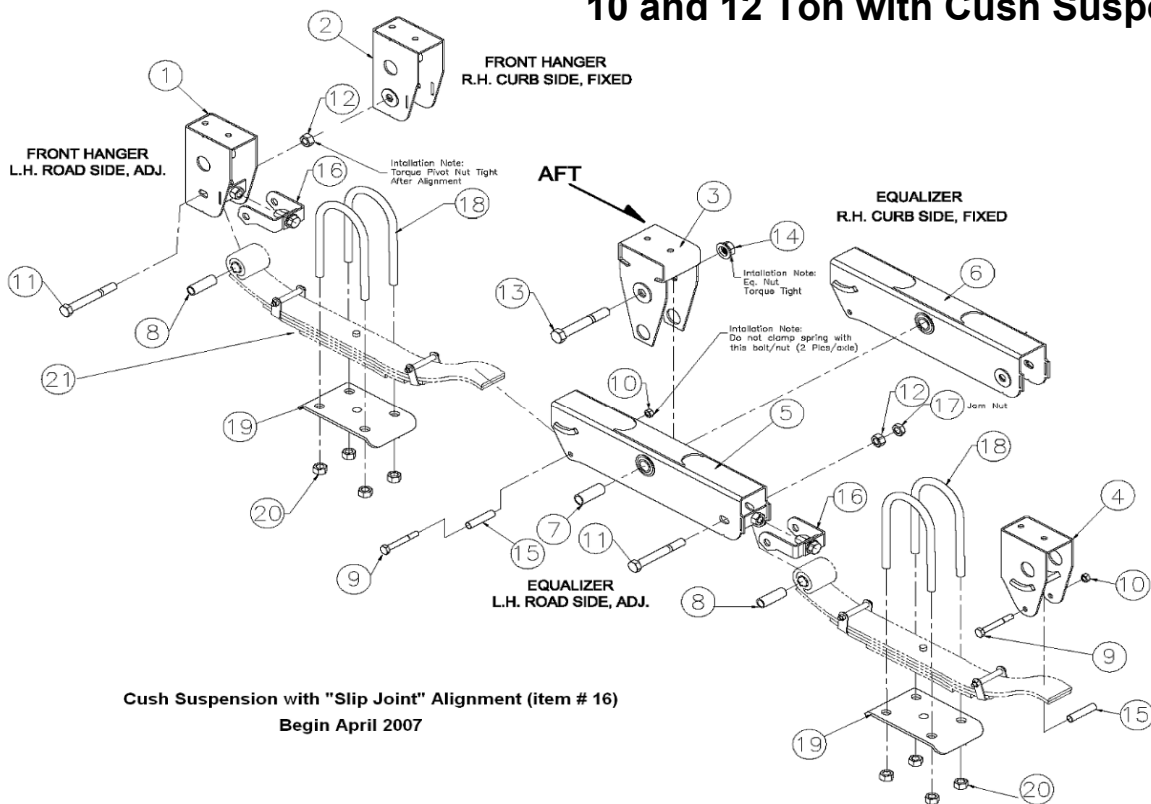


Item	Description	Part # 9HDB	Part # 10HDB	Part # 12HDB
1	Shoe & Lining Kit LH	2057232	2057551	2057529
	Shoe & Lining Kit RH	2057231	2057552	2057528
2	Backing Plate Assy	2059037	2059031	2059039
3	Shoe Return Spring	2057533	2057533	2057533
4	Shoe Return Spring	2057533	2057533	2057533
5	LH Actuator Arm Assy	2059349	2059349	2059351
	RH Actuator Arm Assy	2059350	2059350	2059352
6	Wire Clip	2060742	2060742	2060742
7	LH Arm/Shoe Retainer	2057557	2057557	2057557
	RH Arm/Shoe Retainer	2057558	2057558	2057558
8	Flange Nut	2060351	2060351	2060351
9	Magnet Kit (mag, clip, spring)	2059353	2059353	2059354
9a	Clip Only	2059419	2059419	2059419
9b	Spring Only	2059420	2059420	2059420
10	Not used			
11	Adjuster Cable	2057547	2057547	2057547
12	LH Adjuster Lever	2057546	2057546	2057546
	RH Adjuster Lever	2059234	2059234	2059234
13	LH Adjuster Lever Spring	2057544	2057544	2057544
	RH Adjuster Lever Spring	2057545	2057545	2057545
14	Adjuster Spring	2057536	2057536	2057536
15	LH Adjuster Assy	2057534	2057534	2057534
	RH Adjuster Assy	2057535	2057535	2057535
16	Dust Shield	2057229	2060890	2057526
17	Shoe Hold Down Washer	2057530	2057530	2057530
18	Lock Nut	2057531	2057531	2057531
19	Wire Grommet	2054843	2054843	2054843
	Complete Brake Assy LH *	2059187	2059033	2059035
	Complete Brake Assy RH *	2059188	2059034	2059036

* Complete Assembly will be upgraded to "New Style" with Cast Steel Backing Plate

Eager Beaver Trailers

10 and 12 Ton with Cush Suspension



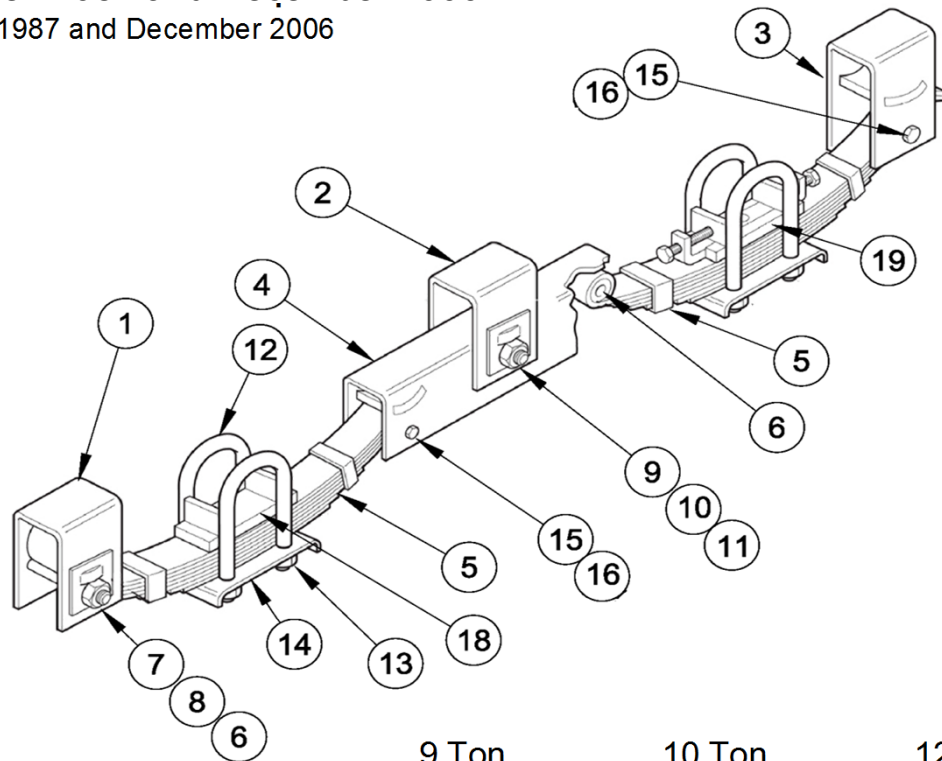
Item	Description	10 Ton Part #	12 Ton Part #
1	Front Hanger, 6.5" LH	2062271	2062271
2	Front Hanger, 6.5" RH	2062272	2062272
3	Equalizer Hanger, 6.5" RH	2062220	2062220
4	Rear Hanger, 6.5" RH	2062221	2062221
5	Equalizer, 48.5" Tandem, Slipper LH	2062273	2062273
6	Equalizer, 48.5" Tandem, Slipper RH	2062274	2062274
7	Equalizer Bushing Insert (1.125" OD x 7/8" ID)	2062225	2062225
Not Shown	Equalizer Bushing, Rubber (Pressed-in)	Included with Equalizer	
8	Spring eye insert (1" OD x .75" ID)	2062226	2062226
9	Bolt, Spring Keeper - 1/2" UNC	2062227	2062227
10	Nut, Spring Keeper - 1/2" UNC	2062228	2062228
11	Bolt, Spring Eye - 3/4" UNC	2062229	2062229
12	Lock Nut, Spring Pivot 3/4-10UNC	2062275	2062275
13	Bolt, Equalizer - 7/8" - 14 UNF	2062231	2062231
14	Nut, Securex - 7/8" - 14 UNF	2062232	2062232
15	Spacer, Spring Slipper	2062276	2062276
16	Slip Joint Yoke Assembly	2062277	2062277
17	Not Used (begin Feb 2009, Rev L) (Replaced by improved Item #12)		
18	U-Bolt, 5/8", 10 Ton Only (until 2/2008)	2059049	N/A
18	U-Bolt, 3/4", 12 Ton & 10 Ton (begin 3/2008)	2059050	2059050
19	Bottom Plate, 10 Ton Only (until 2/2008)	2059060	N/A
19	Bottom Plate, 12 Ton & 10 Ton (begin 3/2008)	2059061	2059061
20	Nut, U-Bolt, 10 Ton Only (until 2/2008)	2059051	N/A
20	Nut, U-Bolt, 12 Ton & 10 Ton (begin 3/2008)	2059052	2059052
21	Leaf Spring	2059045	2059046
Not Shown	Pipe Brace Bars 1 1/4" Sch 80 x 48" Long	218055	218055

ECN 1969 dtd Aug 8, 2012 changed PN 218055 from Schedule 40 to Schedule 80

Eager Beaver Trailers 9-12 Ton Suspension

Used between 1987 and December 2006

1987 and December 2006

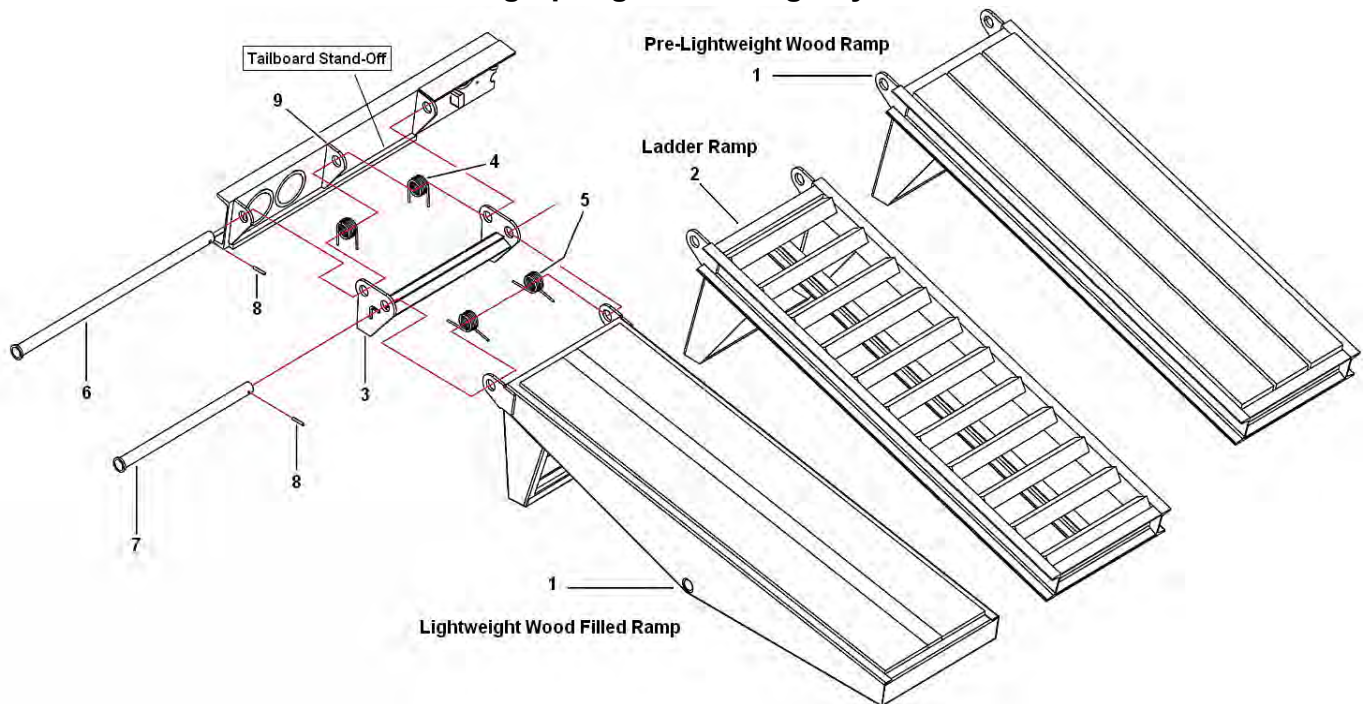


Item Description	9 Ton Part #	10 Ton Part #	12 Ton Part #
1 Front Hangar	2059079	2059055	2059055
2 Center Hangar	2059077	2059056	2059056
3 Rear Hangar	2059080	2059057	2059057
4 Equalizer LH *	2059078	2059058	2059058
Equalizer RH *	2059078	2059058	2059058
5 Leaf Spring	2059081	2059045	2059046
6 Spring Eye Bushing	2059082	2059231	2059231
7 Spring Eye Bolt	2059076	2059047	2059047
8 Nut, Spring Eye Bolt	2059051	2059053	2059053
9 Equalizer Bolt	2059075	2059048	2059048
10 Nut, Equalizer Bolt	2059053	2055555	2055555
11 Equalizer Bushing	2060436	2060195	2060195
12 U-Bolt	2057256	2059049	2059050
13 Nut, U-Bolt	2059051	2059051	2059052
14 Tie Plate	2057250	2059060	2059061
15 Keeper Bolt	2059360	2055557	2055557
16 Nut, Keeper Bolt	2059359	2059054	2059054
17 Not Used			
18 Spring Seat - Fixed	2060441	N/A	N/A
19 Spring Seat - Adjustable	N/A	2060888	2060888

* Approximately 2011, 10 & 12 Ton Equalizer design changed to be ambidextrous

(Used between 1987 and 2007)

Eager Beaver 10 - 12 Ton Model Tag Trailers Double Acting Spring and Linkage System Shown



<u>Item</u>	<u>Part No.</u>	<u>Description</u>
1	2062167	10-20 Ton Lightweight 6' Wood 15" Bucket (Double Acting)
	2062099	10-12 Ton pre-LW 6' Wood 15" Bucket (Universal *)
	2054643	10-12 Ton pre-LW 5' Wood 15" Bucket (Universal *)
2	2062098	10-12 Ton 6' Ladder 15" Bucket (Universal *)
	2059342	10-12 Ton 5' Ladder 15" Bucket (Universal *)
3	2062168	Double Acting Movable Link (23" W) LW Style Ramps Only
	991846	Double Acting Movable Link (20" W) Ladder & pre-LW Ramps Only
	2057173	Single Acting** Movable Link (20" W)
4	2062135	Tail Board Side Spring (one leg longer)
	2059230	LD Double Spring - Single Acting** (Not Shown)
5	2062134	Ground Side Spring (both legs same length)
6	2059186	Ramp Pivot Pin 36.5"
7	2063220	1.5" Dia. Ramp Pivot Pin 25" Long (LW Style Ramps Only)
	2054640	1.5" Dia. Ramp Pivot Pin 22" Long (Ladder & pre-LW Ramps Only)
8	2059020	Roll Pin - Ramps
9	2062169	Fixed Link (For Double Acting Movable Link)
	2059364	Fixed Link (For Single Acting** Movable Link)
	2062333	Tailboard standoff 1/2" x 3/4" x 35" (2 required)
	142012	Replacement 15" Bucket - Ladder, Single Acting & Pre-LW Ramps
	2063287	Replacement 15" Bucket - Lightweight Wood Filled Ramp Only

Conversion Kit (Convert old style Single Acting ramp linkage to use Double Acting spring set)

2063261 Includes Double Acting items 3, 6, 7, 8

Conversion Notes: Conversion Kit contain quantity two of items 3,6,7 & 8

Modification or replacement of existing Fixed Link required

Addition of Tailboard Standoff key stock required. Springs not included in conversion kit.

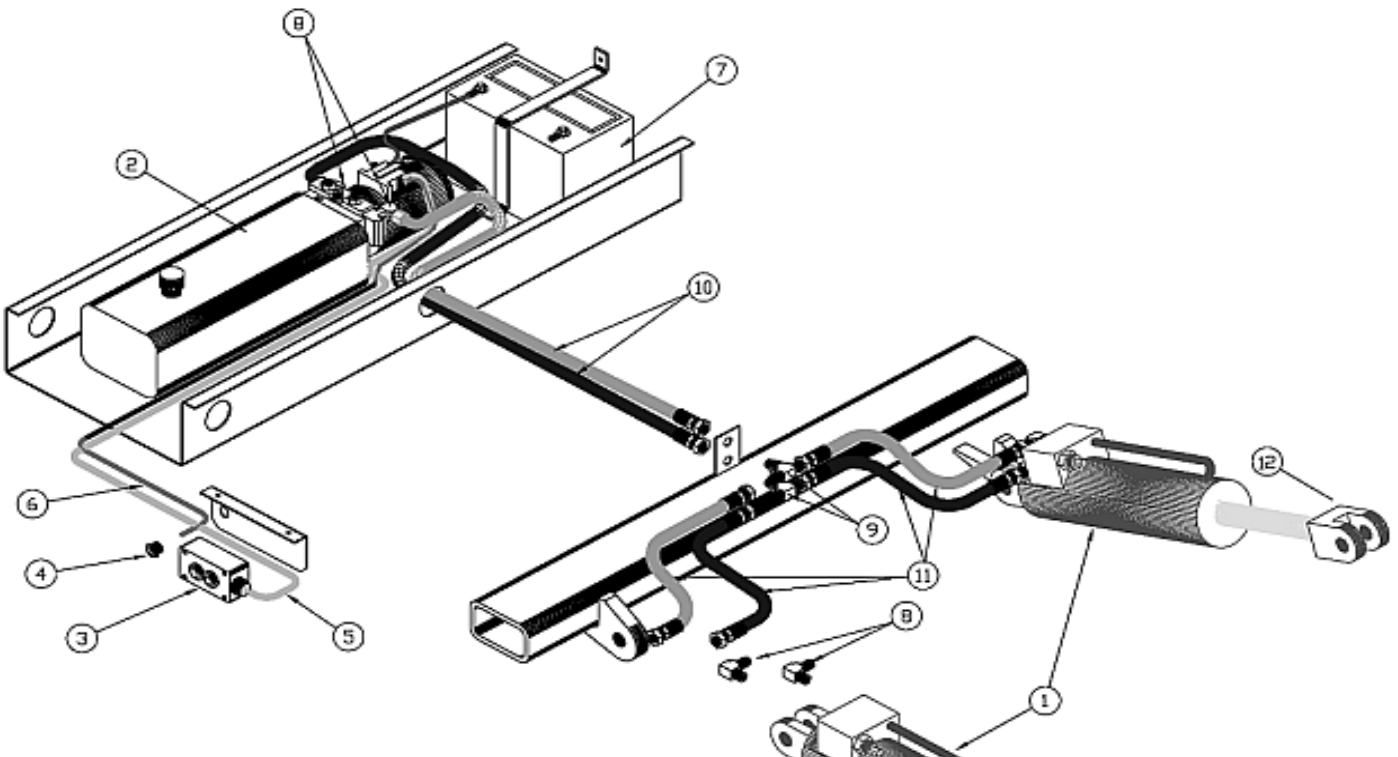
* Universal ramps will work with either Double Acting Or Single Acting springs & linkage

** Single Acting Spring & Ramps Provide Lift Assistance Off Of Ground Only

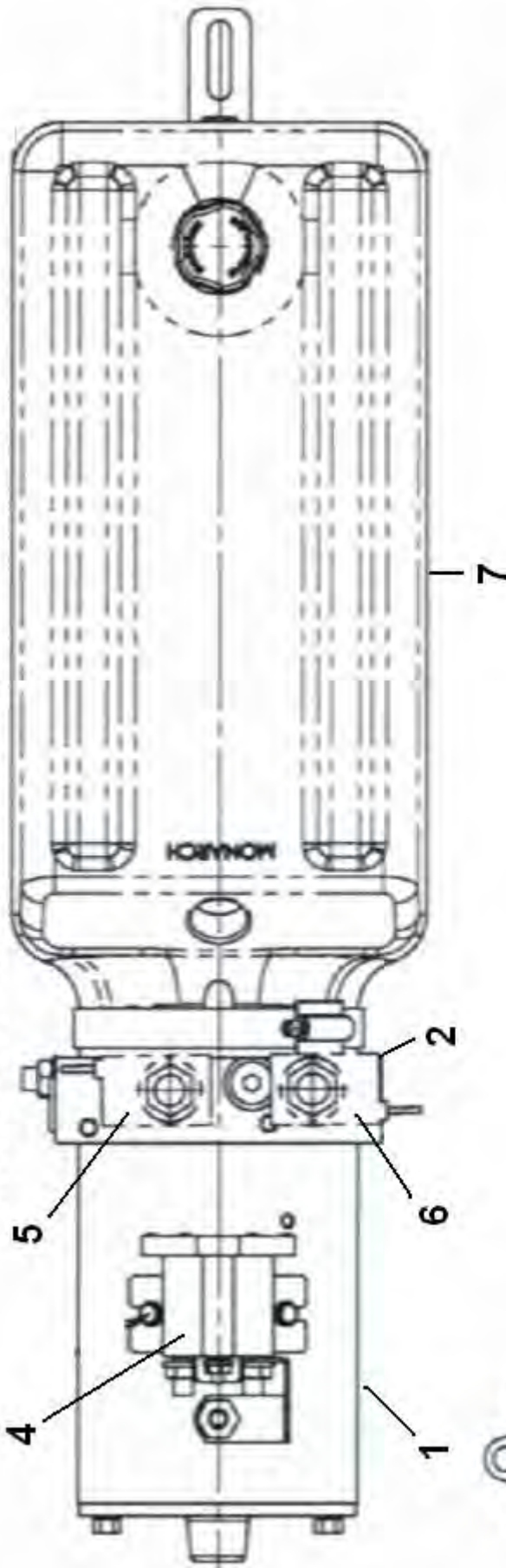
Eager Beaver Trailers

Electric Hydraulic Ramps with Counter Balance Lock (Since June 2007)

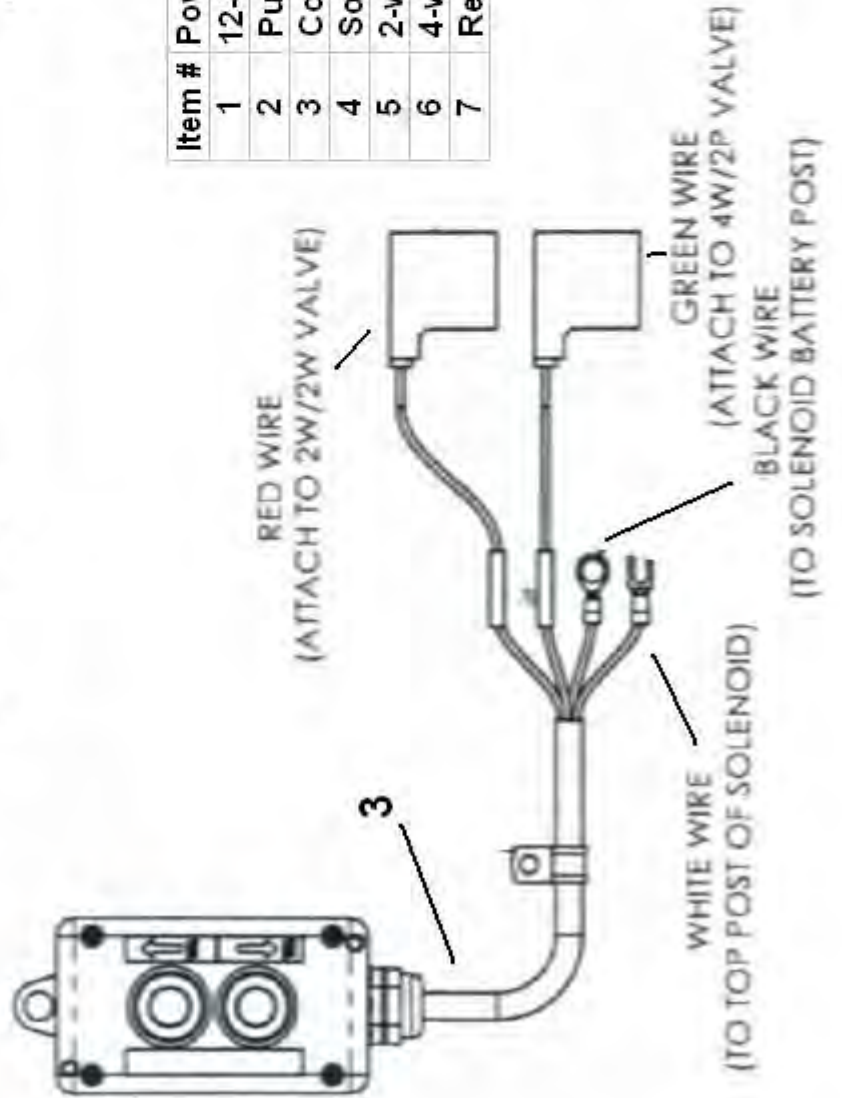
ITEM	DESCRIPTION	PN	NOTES
1	HYDRAULIC CYLINDER	2062326	4" Bore x 11" Stroke with Counter Balance Valve
not shown	PACKING KIT FOR HYDRAULIC CYLINDER	2059362	Prince PMCK-BH-0483
2	MONARCH M3551 MOTOR AND HYD PUMP	373002	
2a	VENT PLUG FOR HYDRAULIC RESEVOIR	2060007	
3	UP-DOWN CONTROL BOX	2057694	Includes Item # 5 Harness
4	ON-OFF SWITCH & KEYS (Waterproof)	2062304	Switch 95060-21 (begin 12-2014) ; -07 switch disc.
	Universal Spare Key for 95060-21 Switch Only	2059588	will not work with -07 switch
4	ON-OFF SWITCH & KEYS (Non-waterproof)	2062205	Cole Hersee PN M-489 (Prior to March 2008)
5	CONTROL BOX HARNESS	Special Order	
6	HARNESS WITH DEUTSCH DT06-6S CONNECTOR	392612	For waterproof switch only (After Mar 2008)
7	BATTERY (WET CELL) (31DS)	Procure Locally	55 Amp Per hour
12	CLEVIS END ONLY (PIN NOT INCLUDED)	2062296	Also used on Lowboy Stinger Cylinder
12A	PIN, CYLINDER (CLEVIS END & CYLINDER BASE)	2060965	2 Pins per package (1" Dia x 3.1875" L)
not shown	SINGLE POLE PLUG, TRAILER	2057672	Plug Only; Cole Hersee PN 11042
not shown	SINGLE POLE RECEPTACLE, TOW VEHICLE	2057671	Receptacle Only; Cole Hersee PN 11041
	HYDRAULIC OIL	Procure Locally	All Purpose 10W Hydraulic Oil



Monarch Powerpack for Hydraulic Ramps

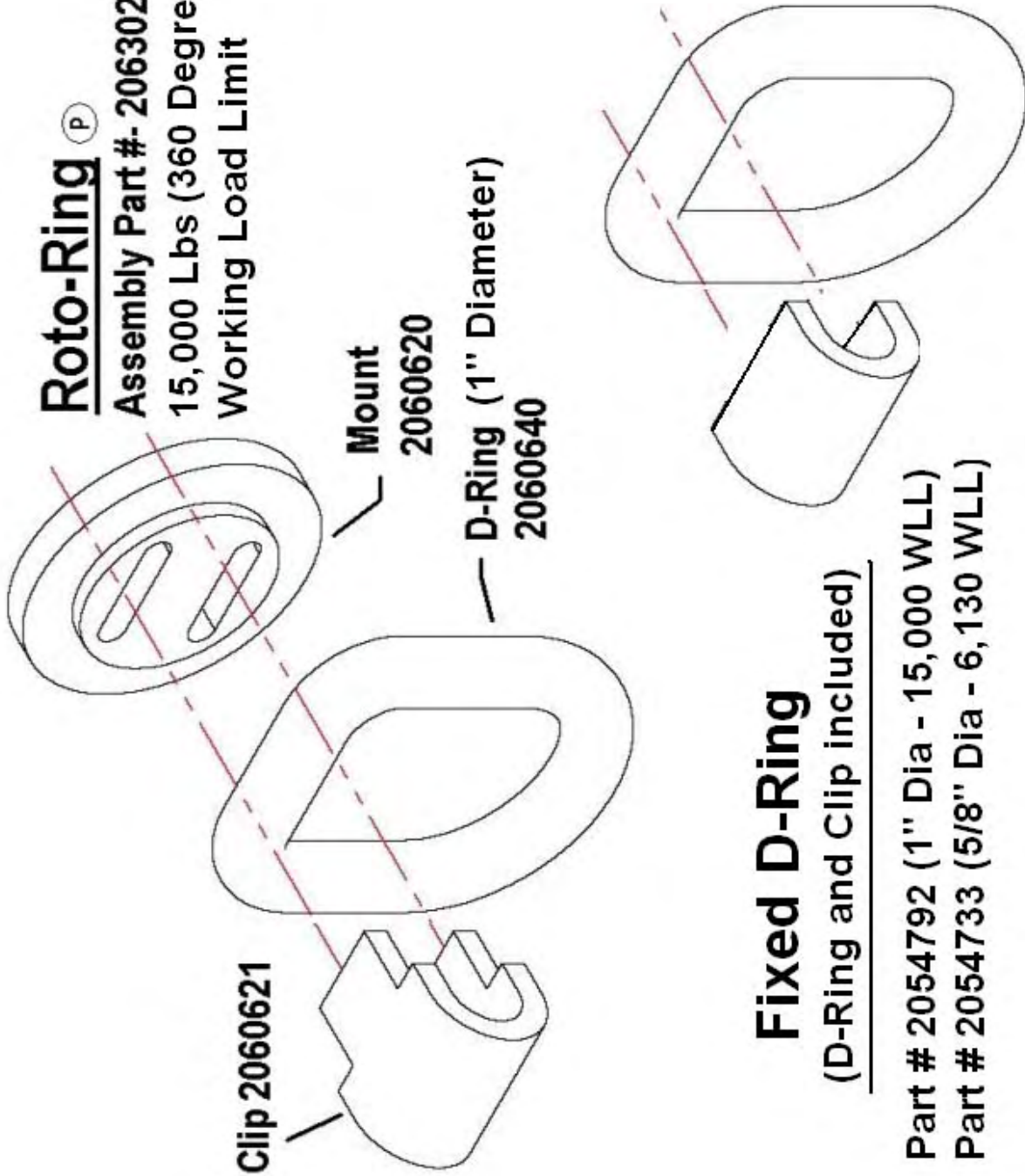


Item #	Powerpack Component	Monarch PN
1	12-VDC motor	8111
2	Pump	12171-250
3	Control Station	04334DH112-120
4	Solenoid Switch	17757
5	2-way cartridge valve	07193-D
6	4-way cartridge valve	00455-D
7	Reservoir	14168



Roto-Ring[®]

Assembly Part #- 2063020
15,000 Lbs (360 Degree)
Working Load Limit



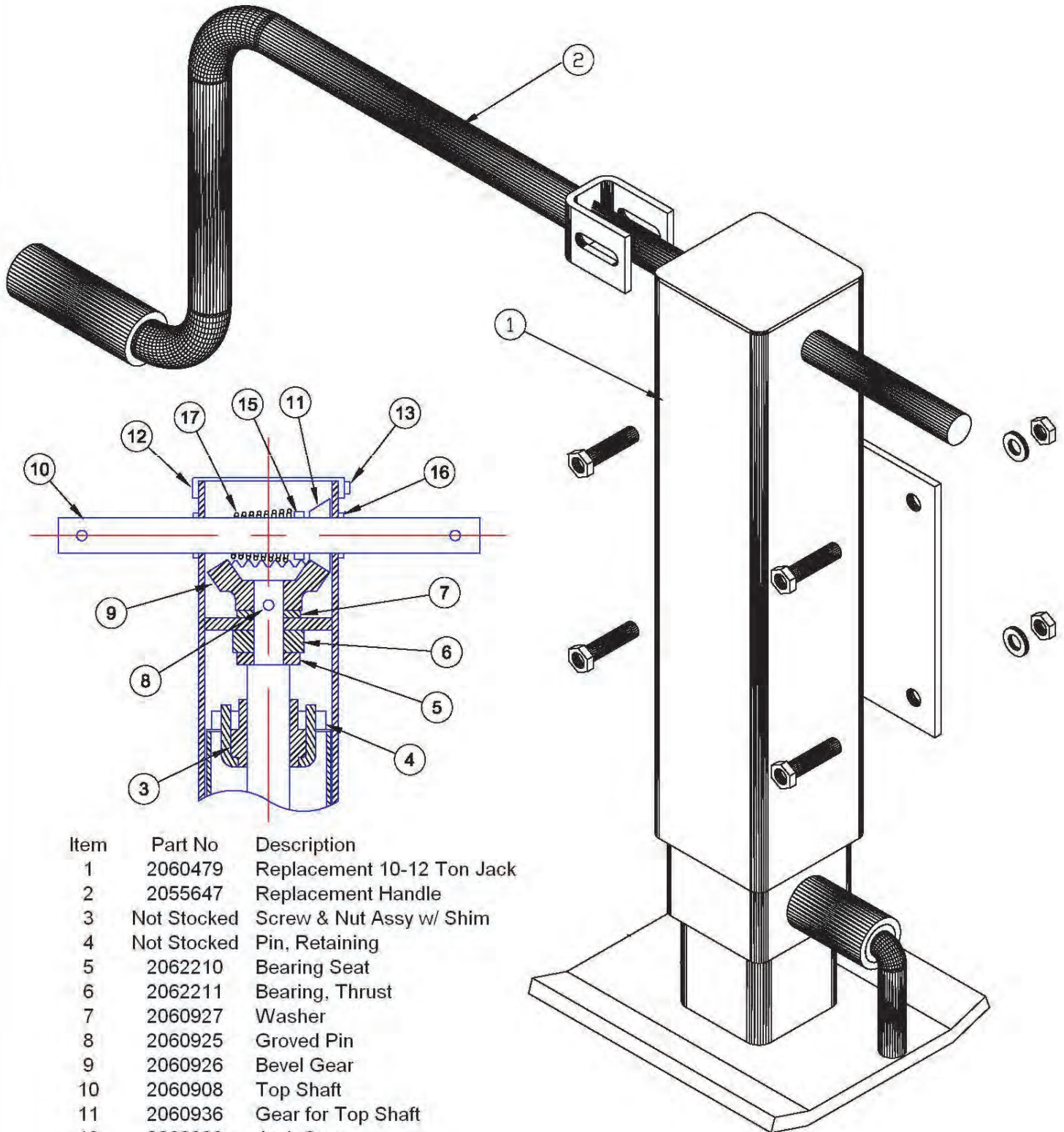
Fixed D-Ring

(D-Ring and Clip included)

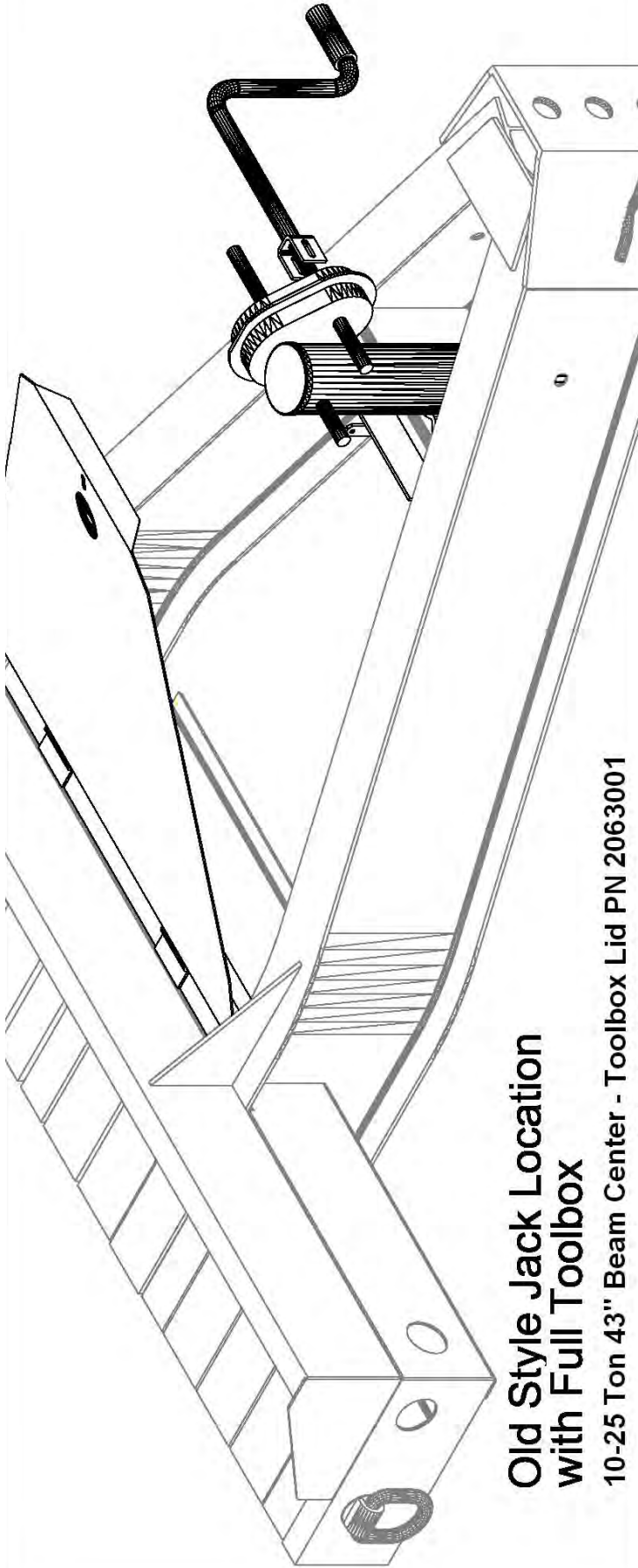
Part # 2054792 (1" Dia - 15,000 WLL)

Part # 2054733 (5/8" Dia - 6,130 WLL)

9 - 12 Ton Square Jack



Item	Part No	Description
1	2060479	Replacement 10-12 Ton Jack
2	2055647	Replacement Handle
3	Not Stocked	Screw & Nut Assy w/ Shim
4	Not Stocked	Pin, Retaining
5	2062210	Bearing Seat
6	2062211	Bearing, Thrust
7	2060927	Washer
8	2060925	Grooved Pin
9	2060926	Bevel Gear
10	2060908	Top Shaft
11	2060936	Gear for Top Shaft
12	2060909	Jack Cap
13	Not Stocked	Screw 12-14 x .5"
14	Not Used	
15	2062212	Straight Pin .025 x 1.27
16	2062213	Bushing, Hex
17	2062214	Spring, Compression Spacer

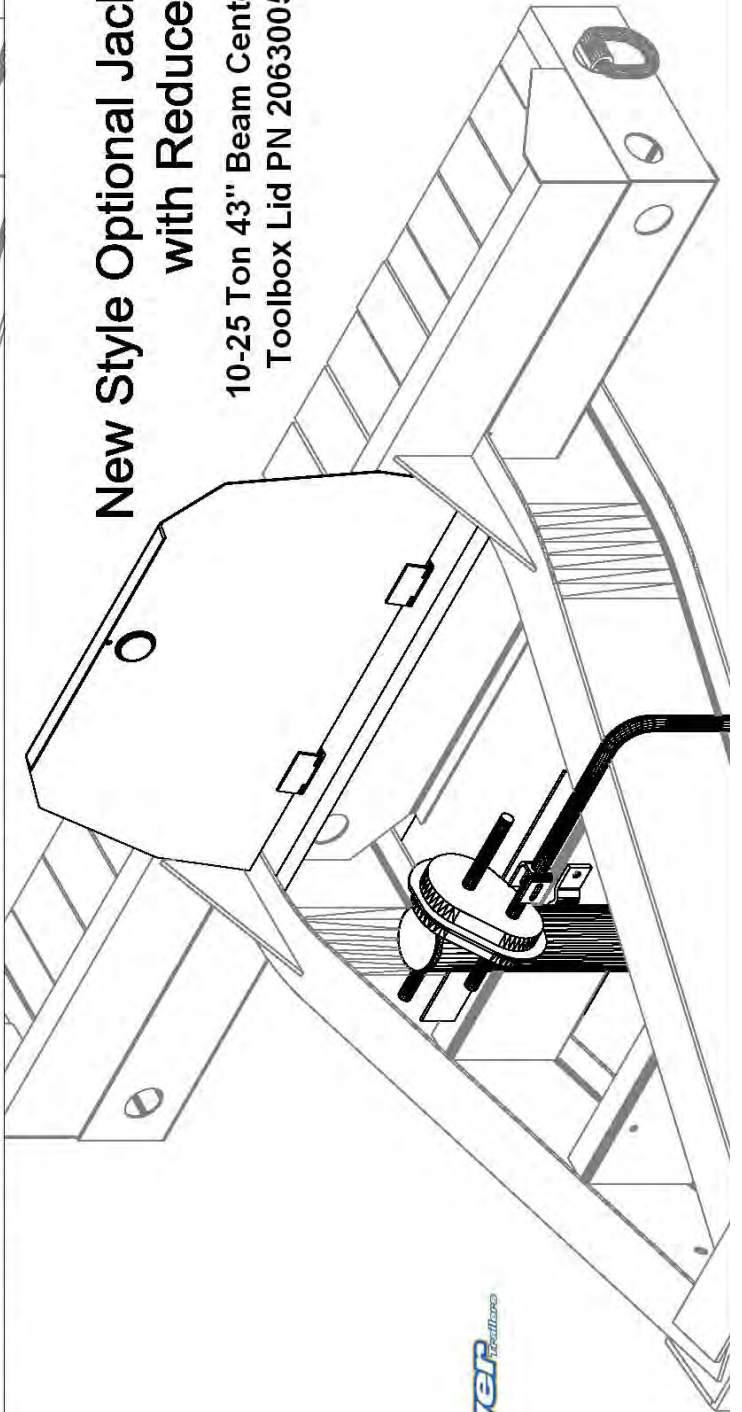


**Old Style Jack Location
with Full Toolbox**

10-25 Ton 43" Beam Center - Toolbox Lid PN 2063001

**New Style Optional Jack Location
with Reduced Toolbox**

10-25 Ton 43" Beam Center
Toolbox Lid PN 2063005

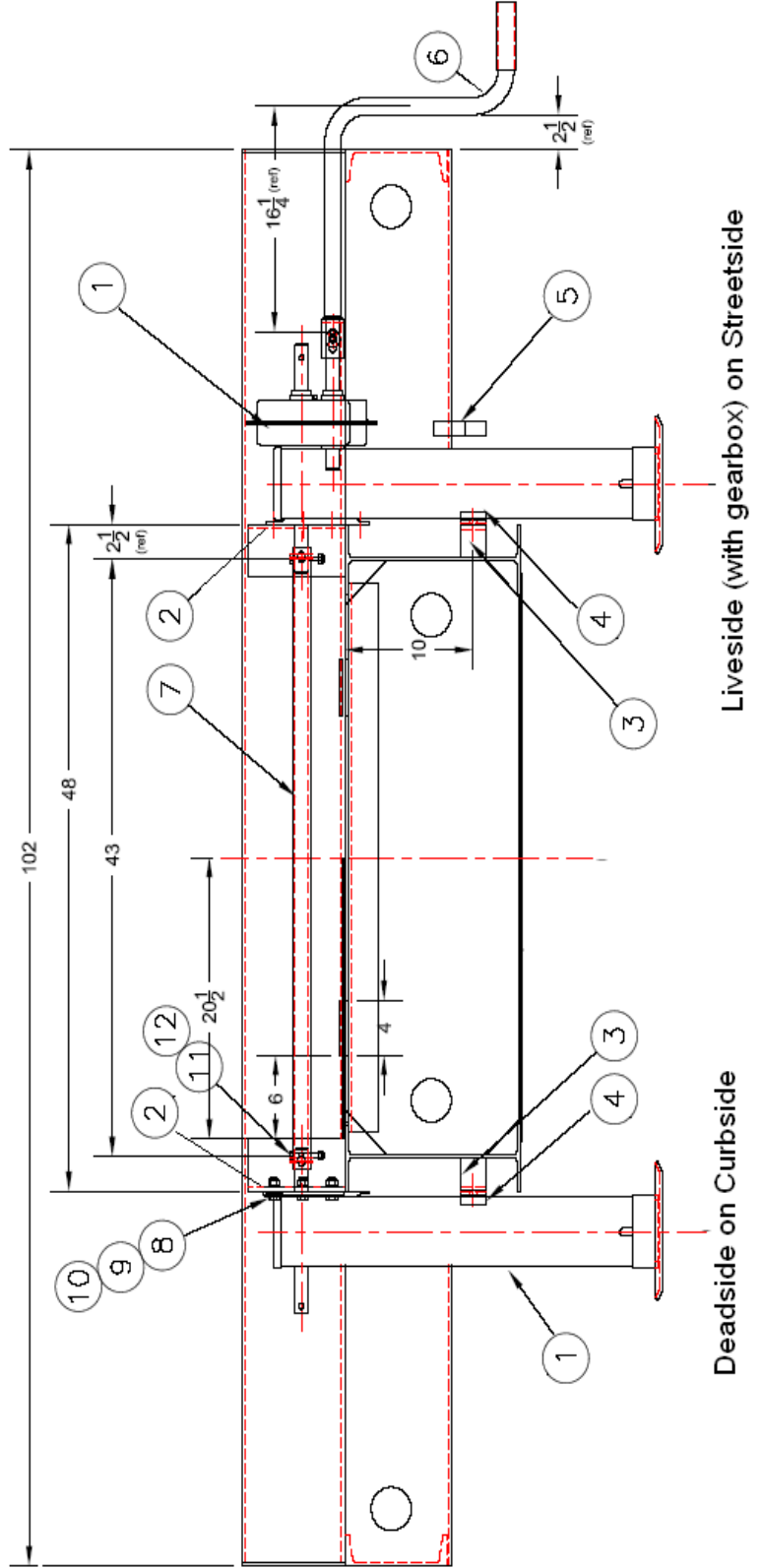


**Eager
Beaver**
Equipment

BOM 2063010 for BDOW, 10-12 Ton Tag Landing Gear Assembly
BOM 2063011 for 15-25 Ton Tag Landing Gear Assembly

Item #	PN	Qty	Description
1	401032	1	2-SPEED LANDING GEAR SET *
2	141212	2	1/4X7.5X16.5 LAND/LEG BRKT PLATE
3**	141441	2	5/16X2X13.5 9-12TON L/G L/MNT BRACKET
3**	141442	2	5/16X2X14.5 15-25TON L/G L/MNT BRACKET
4	167025	2	3/8X2X10 SQ L/G LWR/BRKT
5	401045	1	J-HOOK,CRANK HANGER
6	401042	1	CRANK,BLACK (LONG) 20"(730112)
7	211005	1	1"SCH 40 X 41.5 L/G CROSS TUBE
8	412105	16	5/8-11X2 ZN HXHD CPSCRW GRD 8
9	412203	16	5/8-11 LOCKNUT UNC ZN
10	412304	32	5/8 US.STD FLAT WASHER ZN
11	412101	2	3/8-16X2.5 ZN HXHD TAP BL
12	411321	2	3/8-16 NYLOC LOCKNUT

* Set includes Live Side (with 2 Speed Gear Box) and Dead Side Jacks
 ** 141441 included with BOM 2063010; 141442 included with BOM 2063011



Tires & Wheels

9 HDB and 10HDB/HA (Before 1998)

8.75 X 16.5 (E) Tires

Description	Part #
Wheel 8-Stud, 6.75 X 16.5 Tire & Wheel Assembly	2057640 Not Stocked

12HDB/HA (Before 1998)

9.00 - 14.5 (F) Tires

Description	Part #
Wheel 8-Stud, 7 X 14.5 Tire & Wheel Assembly	2057641 Not Stocked

10 - 12 TON HA & HDB

ST235/80R16 (E) Tires (Begin March 2008)

Description	Part #
Wheel 8-Stud, 6.00 X 16 Tire & Wheel Assembly	2061092 Not Stocked

LT235/85R16 (E) Tires (1998 - March 2008)

Description	Part #
Wheel 8-Stud, 6.00 X 16 Tire & Wheel Assembly	2061092 Not Stocked

15 HDB

215/75R17.5 (H) Tires

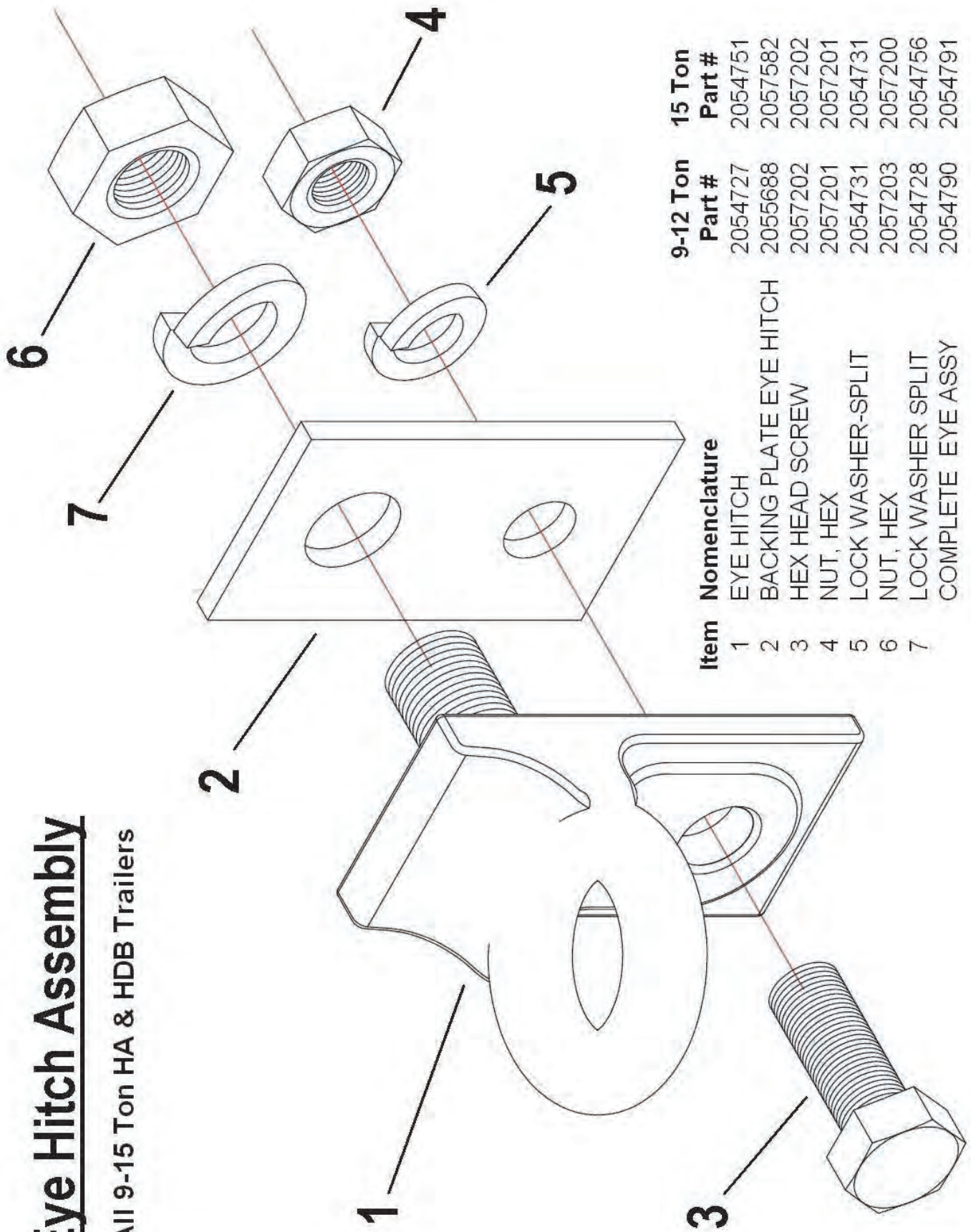
Description	Part #
Wheel 8-Stud, 6.75 X 17.5 (Hub Piloted) Tire & Wheel Assembly (Hub Piloted)	2062125 Not Stocked
Wheel Open Center, 6.75 X 17.5 Tire & Wheel Assembly (Open Center)	2059206 Not Stocked



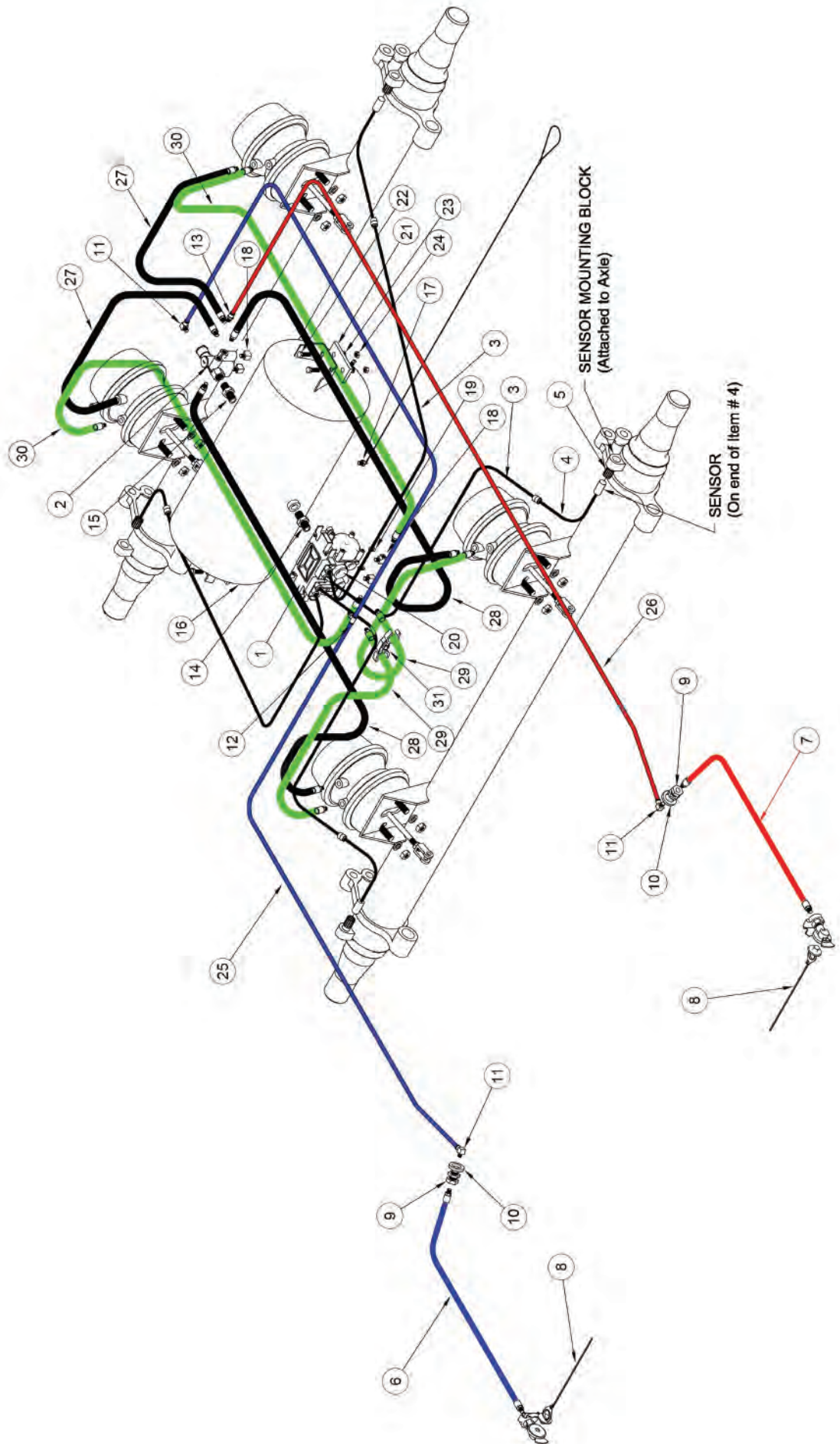
**8-Stud Hub Piloted Wheel
(Shown Above)**

Eye Hitch Assembly

All 9-15 Ton HA & HDB Trailers



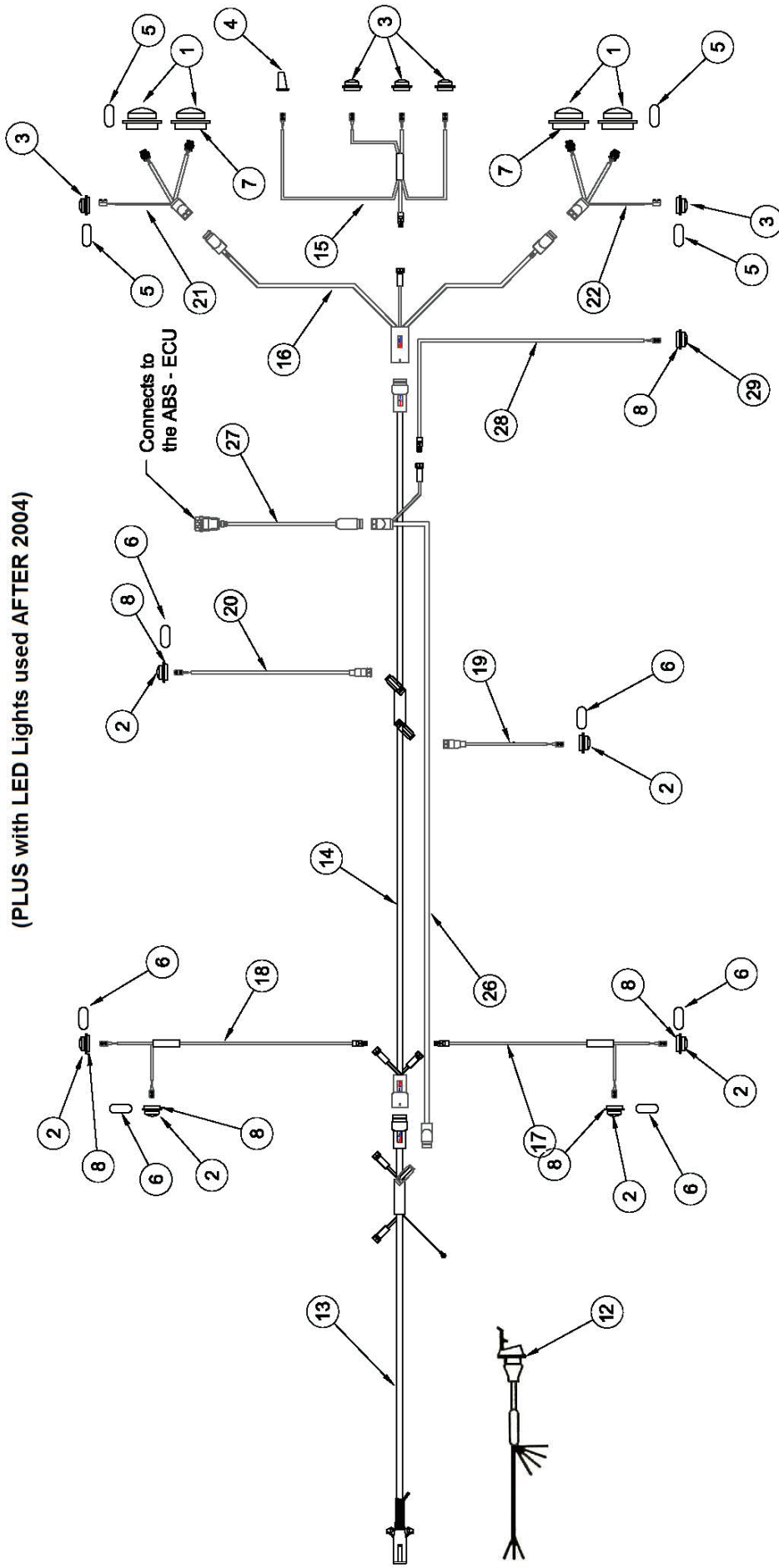
Item	Nomenclature	9-12 Ton Part #	15 Ton Part #
1	EYE HITCH	2054727	2054751
2	BACKING PLATE EYE HITCH	2055688	2057582
3	HEX HEAD SCREW	2057202	2057202
4	NUT, HEX	2057201	2057201
5	LOCK WASHER-SPLIT	2054731	2054731
6	NUT, HEX	2057203	2057200
7	LOCK WASHER SPLIT COMPLETE EYE ASSY	2054728	2054756
		2054790	2054791



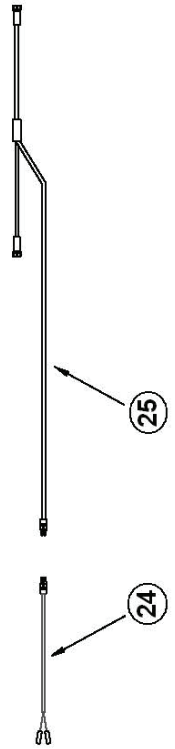
2 AXLE TAG WITH ABS PARTS LIST

Item	PN	Qty	Description
1	2062139	1	4005001030 (2&3 AXLE ECU)
2	2062080	1	SPRING BRAKE VLV,SEALCO 110800
3	2062102	4	4497130180 6' SENSOR EXT CABLE
4	2062086	4	441-032-808-0 SENSOR W 1' CABLE
5	2062085	4	899-759-815-4 SENSOR CLIP
6	381001	1	3/8HOSE X 60" w /SERV, GLADHAND
7	381002	1	3/8HOSE X 60" w/ EMER, GLADHAND
7A	2055360	1	GLADHAND, SERVICE (BLUE)
7A	2055361	1	GLADHAND, EMERGENCY (RED)
7A	2059141	2	3/8" HOSE X 60"
8	2062131	2	SLOAN PACIFIER P/N 441721
9	2055359	2	3/8FPT-3/8FPT BULKHEAD FITTING (BRASS)
10	411471	2	1"SAE FLAT WASHER PLATED
11	382002	2	3/8T-3/8M SWVL 90 ELBOW (
12	381053	1	3/8T-1/4M SWVL BRNCH TEE
13	381031	1	3/8T-3/8M STRAIGHT CONNECTOR
14	381153	1	3/4"HD NIPPLE,SEALCO #6006
15	381156	2	3/4 MALE CON. 3/4TUBEX3/4
16	2062024	1	AIR TANK (2850) #HT-1242 2-PORT
17	2058065	1	REMOTE DRAIN VLV (350002-048)
18	382106	4	3/8 90°STRT ELBOW, BRASS
19	382162	4	3/8 SQHD PLUG (BRASS)
20	382163	1	3/4 HEXHD PLUG (BRASS)
21	420001	2	AIRTANK MOUNTING PAD #1068
22	411121	4	3/8-16X1.25 HEXHD CAPSCREW GR5
23	411501	8	3/8 STD FLAT WASHER, ZINC
24	411321	4	3/8-16 NYLOC LOCKNUT
25	381879	30	3/8OD NYLON BRAKE TUBING- BLUE
26	381878	30	3/8OD NYLON BRAKE TUBING- RED
27	2062120	2	36" 3/8 AIR BRAKE HOSE
28	2055693	2	60" 3/8 AIR BRAKE HOSE
29	2055692	4	24" 3/8 AIR BRAKE HOSE
30	2059140	2	66" 3/8 AIR BRAKE HOSE
31	411821	12	1/2ID HOSE SEPARATOR
	382156	1	1/2"X 3/4"HEX NIPPLE

**Eager Beaver 10 - 25 Ton Air Brake Electrical System
with "LED" Lights and USA Harness "PLUS" System Harness
(PLUS with LED Lights used AFTER 2004)**



**10 - 15 Ton Electric Brake Add-On Harness
(Brake Away Switch Jumper & Electric Brake Harness)**

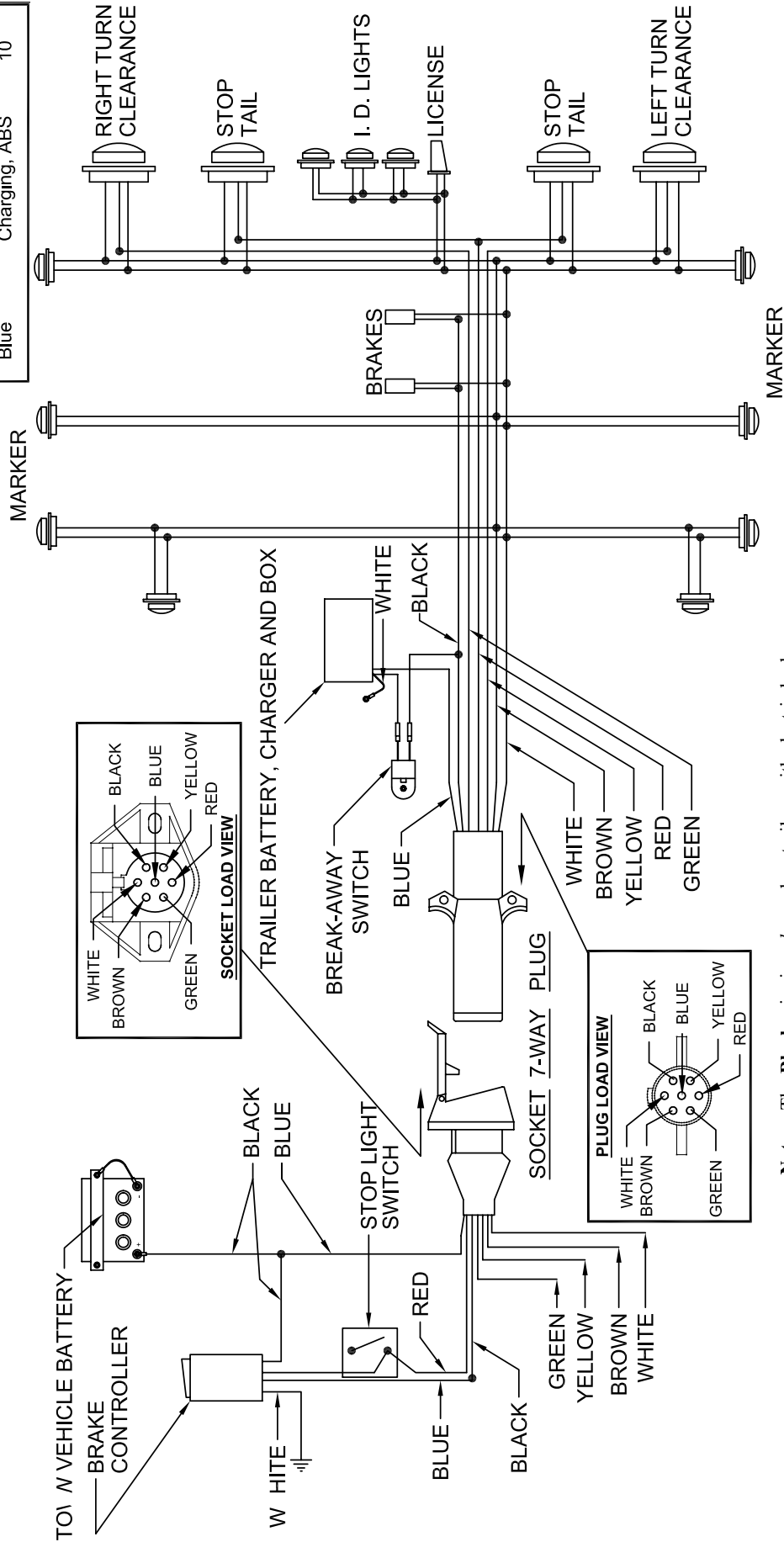


PLUS (Positive Lock Under Seal) Harness & LED Lights Parts List

Item	Part no	Qty	Description
1	2062094	4	S/T/T "LED" LIGHT
2	2062095	6	2.5" AMBER LED MARKER LIGHT
3	2062093	5	2.5" RED LED MARKER LIGHT
4	2057075	1	LICENSE PLATE LIGHT (Non LED, One-Piece)
4a	2057072	1	LICENSE PLATE LIGHT HOUSING (2-piece only)
4a	2057074	1	LICENSE PLATE LIGHT (Non LED, 2-piece only)
5	2062130	2	OBLONG RED REFLECTOR
6	2062129	6	OBLONG AMBER REFLECTOR
7	2057067	4	GROMMET, BLACK S/T/T 4"
8	2057069	12	GROMMET, MARKER 2.5"
9-11			not used
12	2060659	1	TRUCK HARNESS, 18', SAE J560 RECEPTACLE
13	2062107	1	TAG NOSE END,12'
14	2062108	1	TAG 10-15 MAIN, 26' PLUS
15	2062193	1	TAILBOARD I.D., PLUS LED
16	2062061	1	TAILBOARD CENTER,ALL PLUS
17	2062194	1	FRONT MARKER, 2-LT, 39" PLUS LED
18	2062195	1	FRONT MARKER, 2-LT, 81" PLUS LED
19	2062196	1	CNTR MARKER,4-POLE, 51" PLUS LED
20	2062197	1	CNTR MARKER,4-POLE, 87" PLUS LED
21	2062198	1	C/S "LED"PGTL,TAG, 14" PLUS LED
22	2062199	1	S/S "LED"PGTL,TAG, 14" PLUS LED
23			not used
24	2062043	1	BREAK AWAY SWITCH JUMPER
25	2062042	1	ELECTRIC BRAKE HARNESS, 19'
26	2062039	1	TAG ABS ADAPTER, 210"
27	2062040	1	ABS POWER, 41"
28	2062041	1	MARKER, 2-POLE, 155"
29	2061097	1	ABS 2.5" MARKER LIGHT - NON LED
KIT	2062200	1	COMPLETE PLUS HARNESS ASSEMBLY *
* (Less ABS items 26, 27, 28 ; Less Elec Brake Items 24, 25 ; Less Item 12)			
* (Lights & Grommets also not included with Harness Assembly)			
KIT	2061048	1	ELECTRIC BRAKE ITEMS 24 AND 25
KIT	2062119	1	ABS AIR BRAKE ITEMS 26, 27 AND 28

Electrical Wiring Schematic for Tow Behind Trailers with Electric Brakes

Color	Function	Gauge
White	Ground	8
Green	Right Turn	14
Yellow	Left Turn	14
Brown	Tail Lights	14
Red	Stop, ABS	10
Black	un-used	10
Blue	Charging, ABS	10



Notes: The **Black** wire is *only* used on trailers with electric brakes.

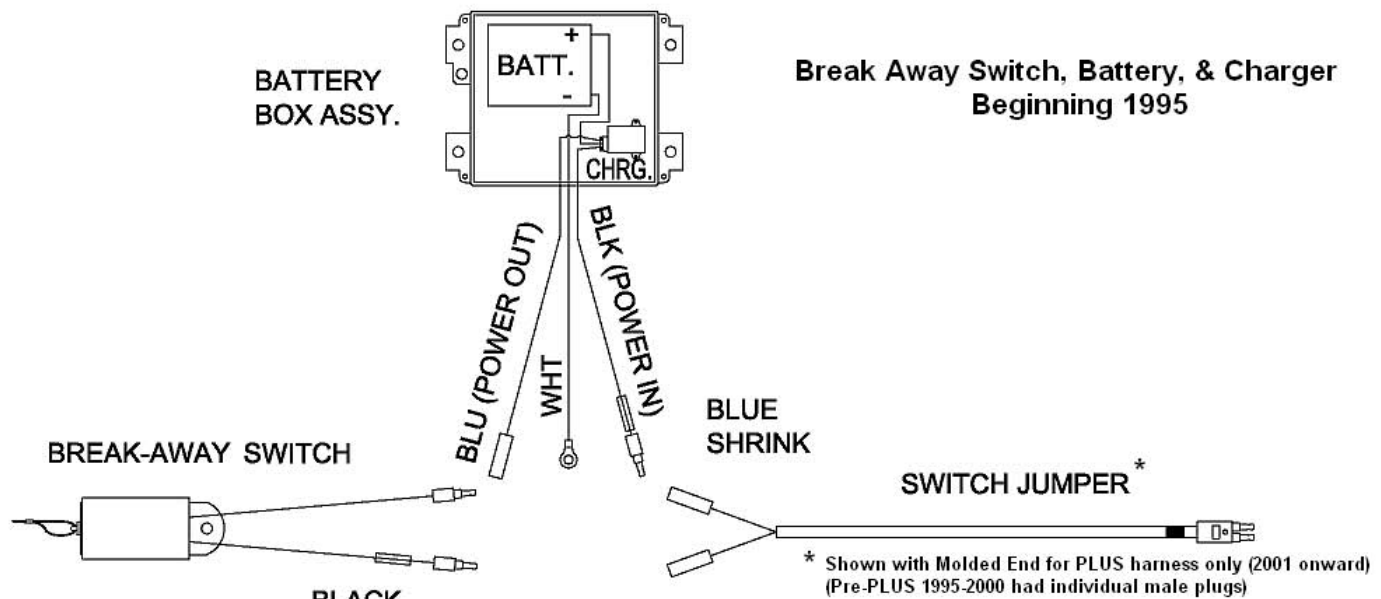
For both air and electric brake trailers, the **BLUE** wire goes to the battery but keyed through the ignition switch and fused (50 amp)

For both air and electric brake trailers, the **RED** wire goes to the stop light switch.

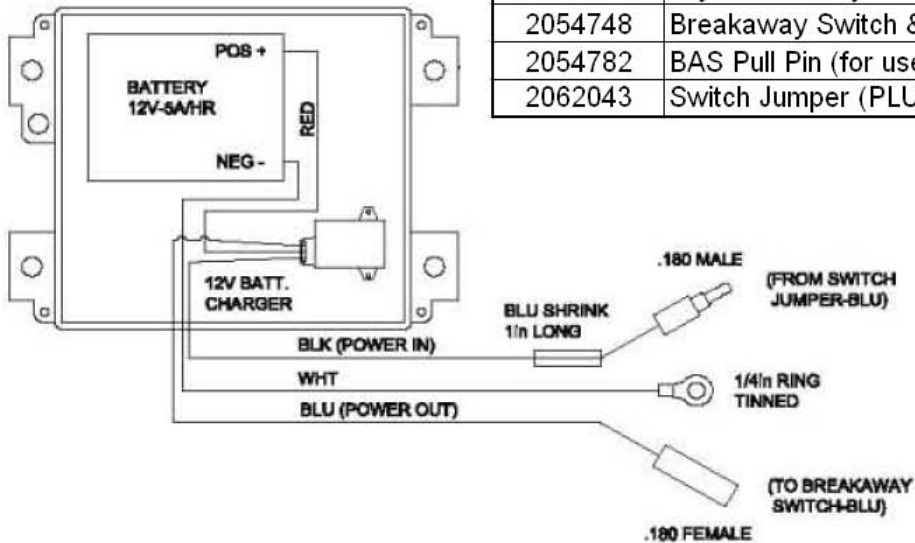
TL-6 trailers do **NOT** use the **RED** stop light circuit wire. The stop light function comes through the Green and Yellow turn signal wires

CAUTION!

Trailers built between October 1, 1993 and February 28, 1998 have the **BLUE** and the **BLACK** function are reversed. **BLUE** for brakes and **BLACK** for charging.

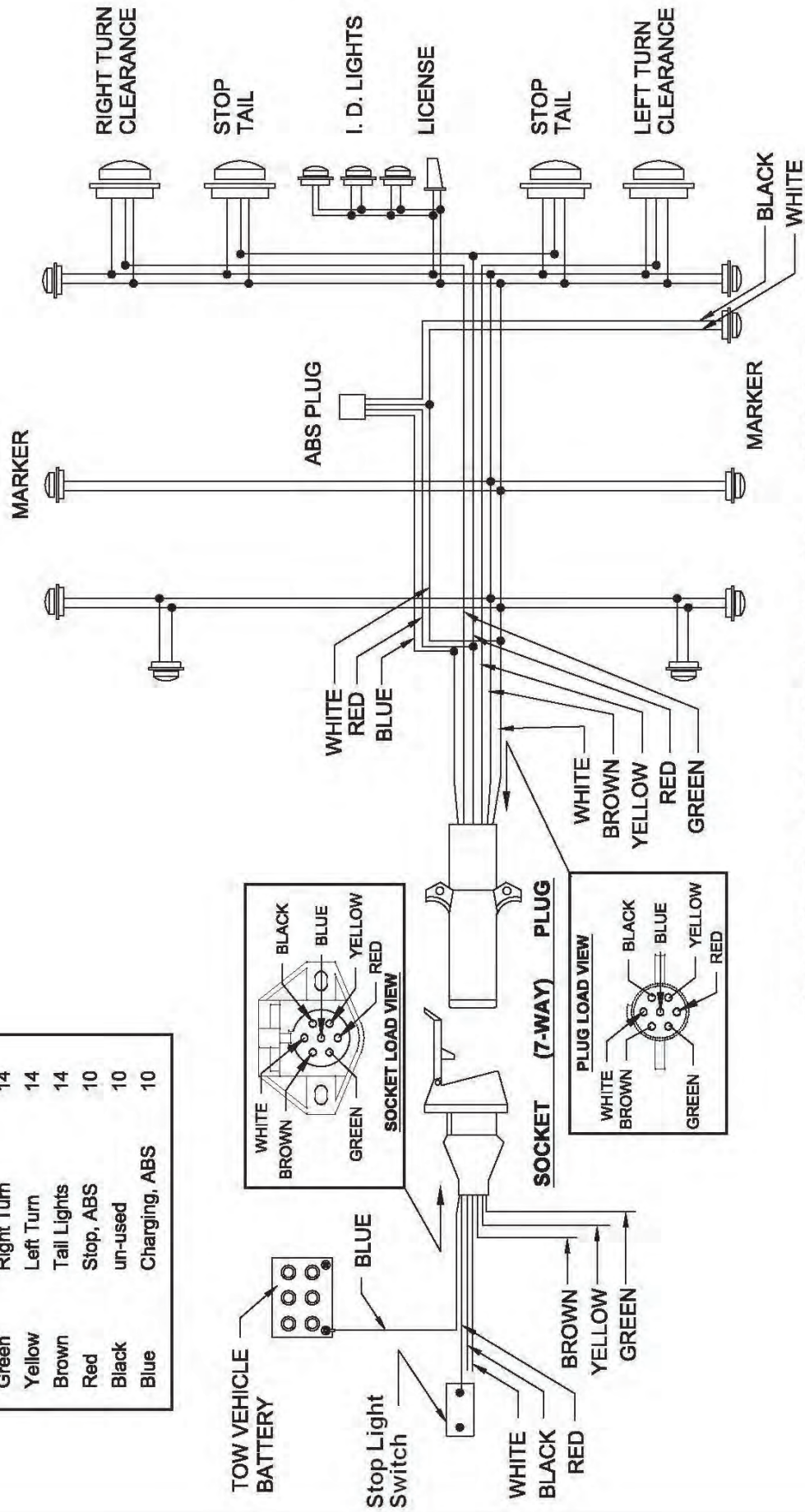


Part #	Description
2060962	Complete Breakaway Kit (Battery, Bat Box, Charger, BAS)
2060882	Dry Cell Battery
2054748	Breakaway Switch & Pull Pin
2054782	BAS Pull Pin (for use with 2054748 only)
2062043	Switch Jumper (PLUS) (Not Included w 2060962)



Electrical Wiring Schematic for Tow Behind Trailers with ABS Brakes

Color	Function	Gauge
White	Ground	8
Green	Right Turn	14
Yellow	Left Turn	14
Brown	Tail Lights	14
Red	Stop, ABS	10
Black	un-used	10
Blue	Charging, ABS	10



Parts & Service Manual

15 HDB Tag Trailers

The following pages are unique only to the 15 ton trailer. Many of the components used on this trailer are also used on the 20 ton trailers.



ORDER GENUINE



General Engines Co., Inc., 548 Swedesboro Ave., Mickleton, NJ 08056

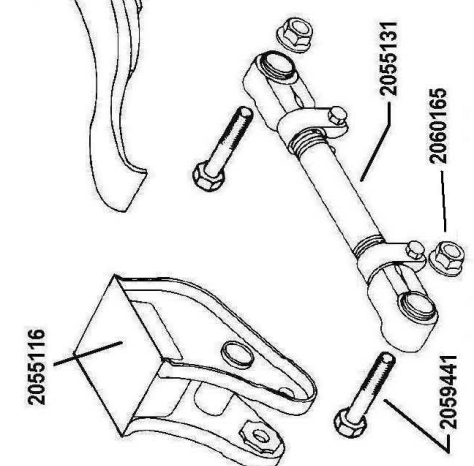
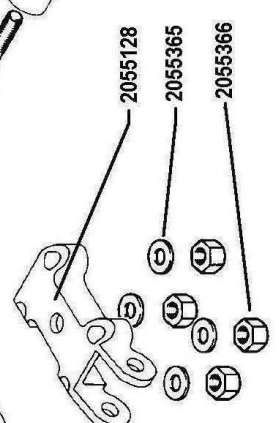
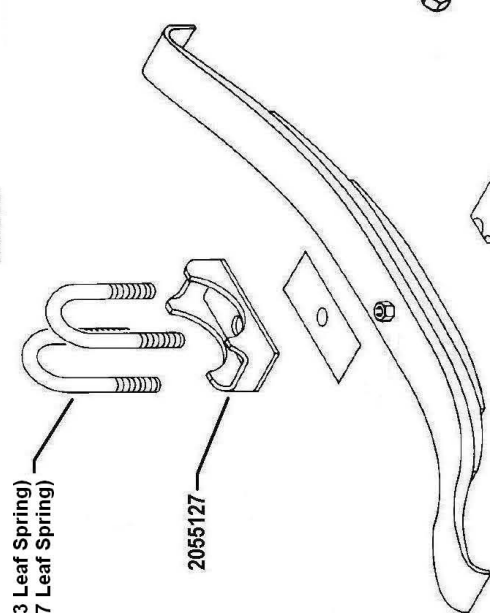
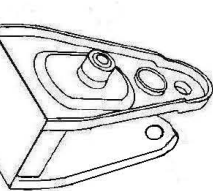
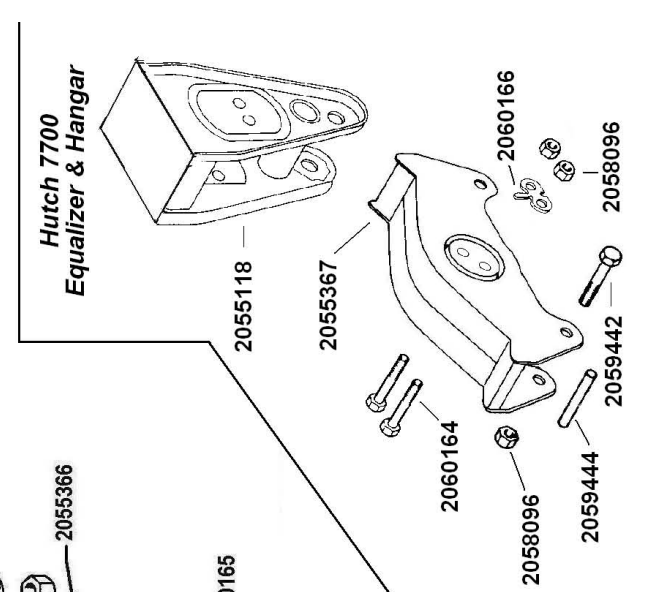
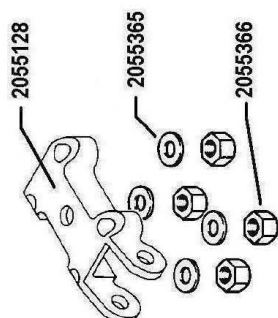
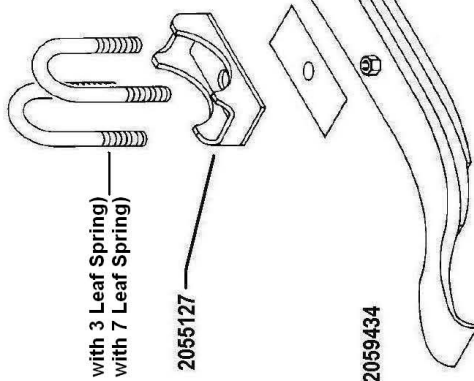
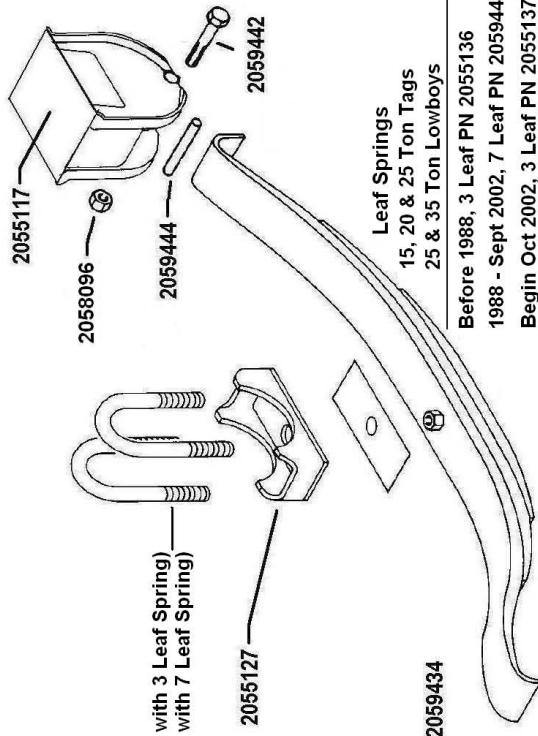
Parts
(800) 338-7088

Customer Service
(800) 722-8803
ext: 3251

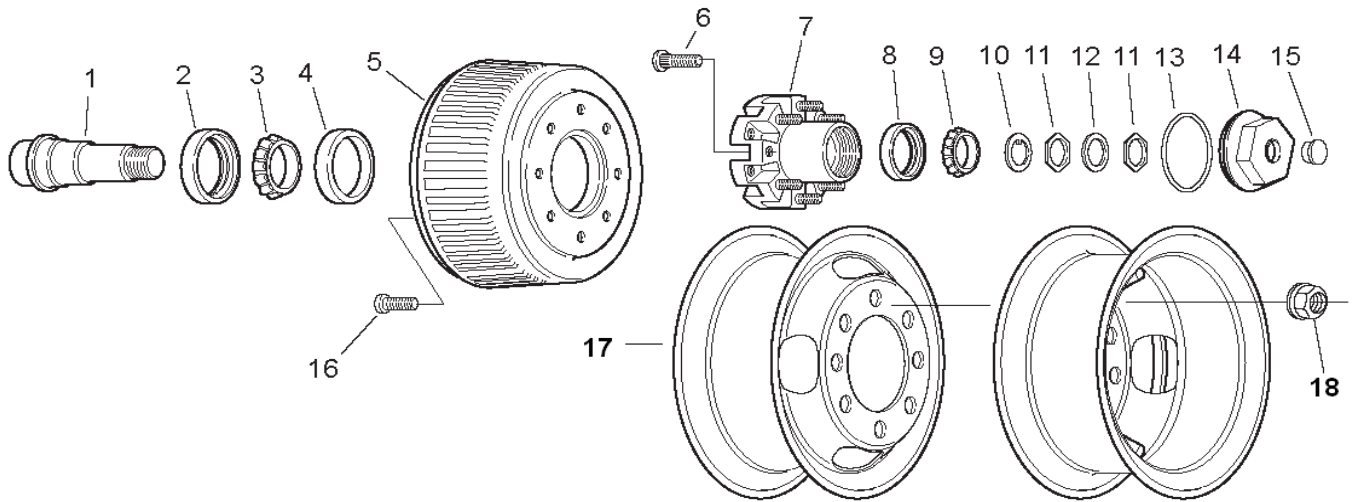
Sales
(800) 257-8163

eagerbeavertrailers.com

Hutch 9700 Suspension - used After 1992
Hutch 7700 Suspension - used Before 1992

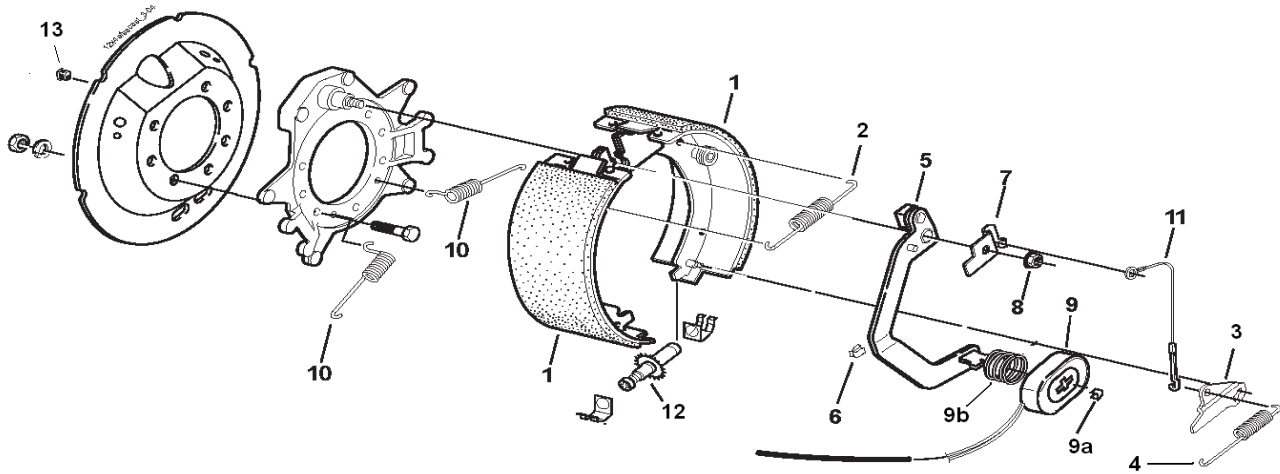


Eager Beaver Trailers 15 HDB Hub & Drum (7 Bolt Backing Plate)



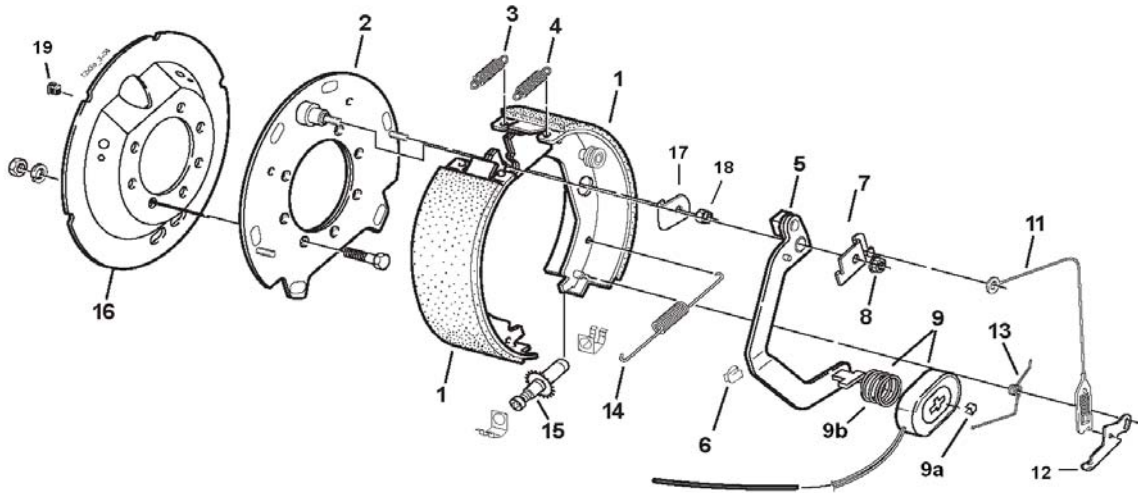
Item Description	Part # 15HDB
1 Axle Beam (36"SC, 71" TR)	Special Order
1 Axle Beam (43"SC, 71" TR)	Special Order
2 Seal	2057502
3 Inner Bearing	2057585
4 Inner Race	2057586
5 Drum	2057507
6 Stud (STD use with Steel Wheels)	007-194-00
6 Stud (Long use with Alum Wheels)	007-195-00
7 Hub with Studs & Races (Std Stud)	008-401-05
7 Hub with Studs & Races (Long Stud)	008-401-06
8 Outer Race	2057588
9 Outer Bearing	2057587
10 Spindle Washer	2059067
11 Spindle Nut	2057511
12 Tang Washer	2059068
13 Oil Cap O-Ring	2057513
14 Oil Cap	2059371
15 Oil Cap Plug	2057515
15 Oil Cap Kit (items 13,14,15)	2060920
16 Drum Mounting Bolt	2057518
17 Rim Hub Piloted 17.5 X 6.75	2062125
18 Flange Nut (swivel)	2061086
18 Mounted Spare 215-75R/17.5	2062136

**Eager Beaver Trailers "New Style" 15 HDB Electric Brake Components
Cast Steel Brake Flange after April 2000**



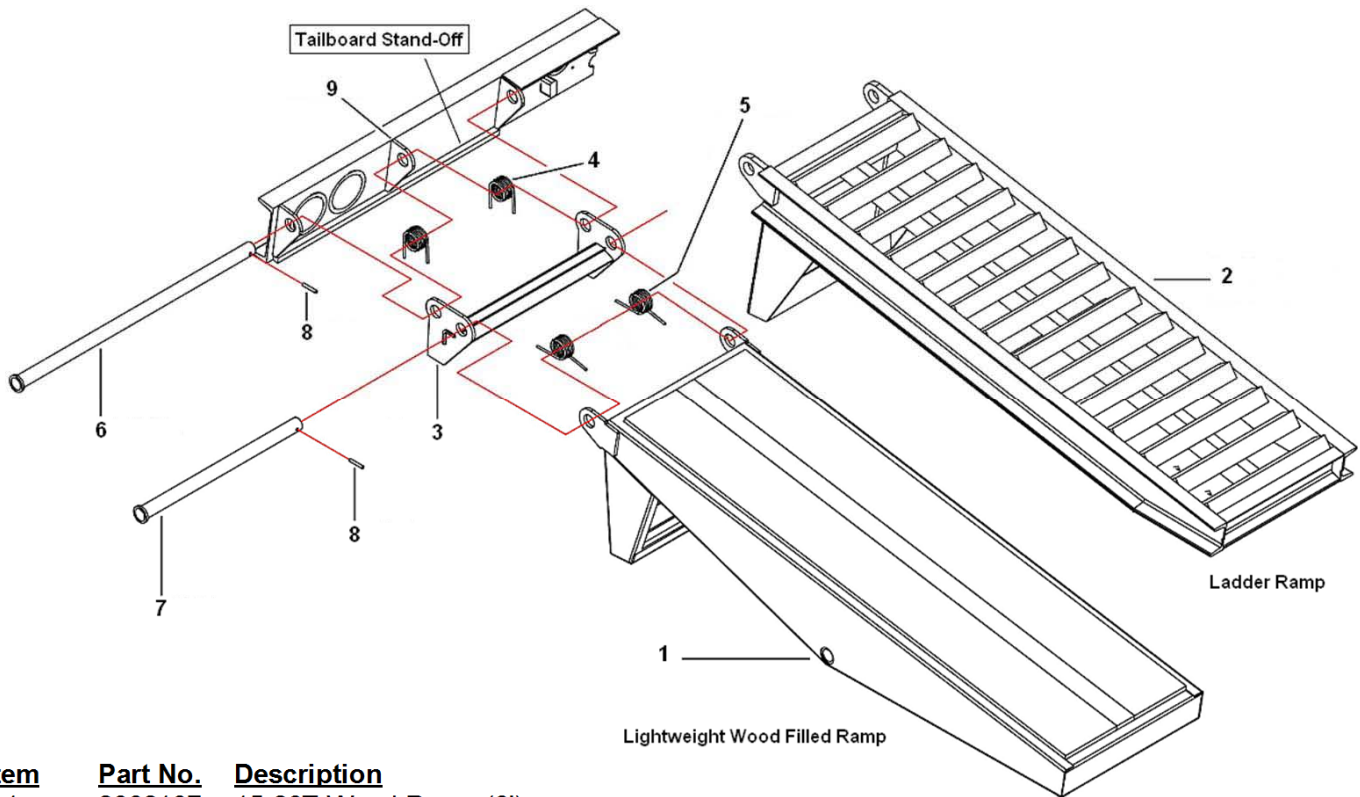
Item	Description	15HDB Part #
1	Shoe & Lining Kit LH	2062073
	Shoe & Lining Kit RH	2062074
2	Shoe Return Spring	2062049
3	Adjuster Lever LH	2062052
	Adjuster Lever RH	2062053
4	Adjuster Spring	2062054
5	Actuator Arm LH	2059351
	Actuator Arm RH	2059352
6	Wire Clip	2060742
7	Actuator Arm Retainer LH	2057557
	Actuator Arm Retainer RH	2057558
8	Flange Nut	2060351
9	Magnet Kit	2060870
9a	Magnet Clip	2059419
9b	Magnet Spring	2059420
10	Centering Spring (2 pr brake)	2062050
11	Adjuster Cable	2062051
12	Adj Screw Assy LH	2062055
	Adj Screw Assy RH	2062056
13	Wire Grommet	2054843
	Complete Brake Assy LH	K23-446-00
	Complete Brake Assy RH	K23-447-00

**Eager Beaver Trailers "Old Style" 15HDB Electric Brake Components
Fabricated Steel 7 Bolt Backing Plate (pre April 2000)**



Item	Description	15HDB Part #
1	Shoe & Lining Kit LH	2057529
	Shoe & Lining Kit RH	2057528
2	Backing Plate Assy	2059039
3	Shoe Return Spring	2057533
4	Shoe Return Spring	2057533
5	LH Actuator Arm Assy	2059351
	RH Actuator Arm Assy	2059352
6	Wire Clip	2060742
7	LH Arm/Shoe Retainer	2057557
	RH Arm/Shoe Retainer	2057558
8	Flange Nut	2060351
9	Magnet Kit (mag, clip, spring)	2060870
9a	Clip Only	2059419
9b	Spring Only	2059420
10	Not used	
11	Adjuster Cable	2057547
12	LH Adjuster Lever	2057546
	RH Adjuster Lever	2059234
13	LH Adjuster Lever Spring	2057544
	RH Adjuster Lever Spring	2057545
14	Adjuster Spring	2057536
15	LH Adjuster Assy	2057534
	RH Adjuster Assy	2057535
16	Dust Shield	2057526
17	Shoe Hold Down Washer	2057530
18	Lock Nut	2057531
19	Wire Grommet	2054843

Ramps and Linkage including conversion Kit 15 Ton Tag Trailers

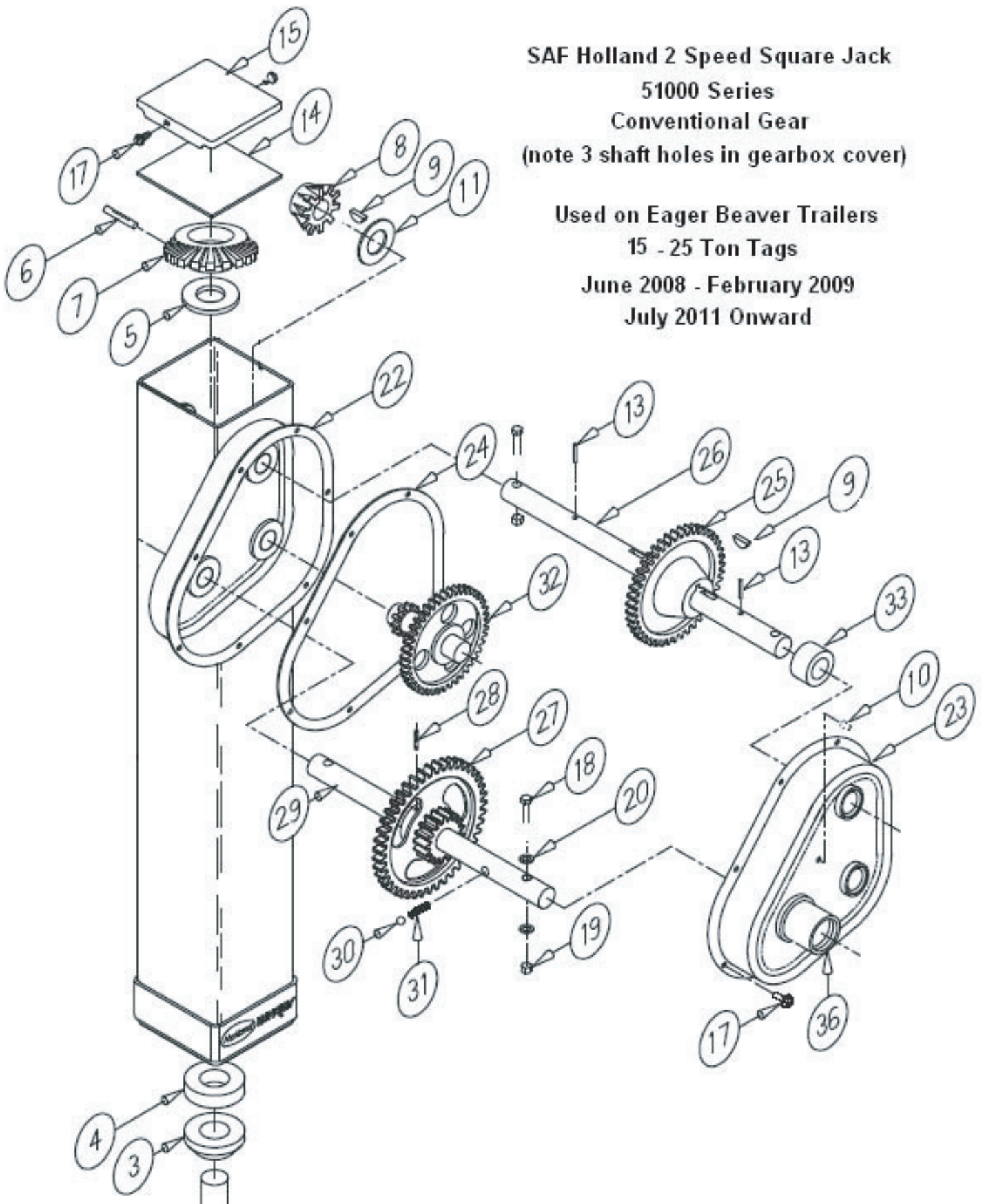


<u>Item</u>	<u>Part No.</u>	<u>Description</u>
1	2062167	15-20T Wood Ramp (6')
2	2060935	15-25T Ladder Ramp (6')
3	2062168	Light Weight Wood Filled Ramp Movable Link 4.5" Hole to Hole Center (23" Wide)
3	2062340	Ladder Ramp Movabe Linkage (21" Wide)
4	2062135	Tail Board Side Spring (one leg longer)
5	2062134	Ground Side Spring (both legs same)
6	2059186	Ramp Pivot Pin 36.5"
7	2063220	Wood Filled Ramp 1.5" Dia. x 25" Long Pivot Pin
7	2063225	Ladder Ramp 1.5" Dia. x 23.5" Long Pivot Pin
8	2059020	Roll Pin - Ramps
9	2062169	Light Weight Ramp Fixed Link (3/8" thick for 15-20 Ton)
9	2059195	Light Weight Ramp Fixed Link (1/2" thick for 25 Ton)
	2062333	Tailboard standoff, 1/2 x 3/4 x 35" bar stock (protects lights from spring damage)
	2063291	Conversion kit: SA to DA LW Wood (15-20T), includes items 3-8 and tailboard stand off
	2060966	Conversion kit: SA to DA Ladder (15-20T), includes items 3-8 and tailboard stand off

Note: Conversion Kits convert from Single Acting to Double Acting springs and contain quantity six of items 4 & 5.
 Note: Conversion Kits do NOT include ramps; order ramps separately

**SAF Holland 2 Speed Square Jack
51000 Series
Conventional Gear
(note 3 shaft holes in gearbox cover)**

**Used on Eager Beaver Trailers
15 - 25 Ton Tags
June 2008 - February 2009
July 2011 Onward**



SAF Holland RH51 (51000 Series) 2 Speed Square Jack

Item #	Description	Qty	EBT Part	
			Number	Holland PN
3	COLLAR	1	2062315	X8-LG0544
4	THRUST BEARING	1	2062316	X8-BRG-013-77
5	WASHER	1	Spec. Order	X8-PW-016-62
6	GROOVE PIN 3/8 x 2	1	2062308	X8-GP-052-21
7	BEVEL GEAR	1	2062306	XA-LG0570-01
8	PINION GEAR	1	2062305	XB-LG1823-01
9	WOODRUFF KEY	2	2062317	X8-KEY-018-02
10	GREASE FITTING, 1/4-28	3	Spec. Order	X8-GRF-022-16
11	THRUST WASHER	1	Spec. Order	X8-PW-016-19
13	SPRING PIN, 1/4 x 1 1/2	2	2062318	X8-SP-014-27
14	COVER GASKET	1	2062309	X8-LGO893
15	TOP COVER	1	2062307	XA-LGO880
16	TAG, DATE OF MFG (NOT SHOWN)	1	NA	LG1430
17	SELF-TAPPING SCREW	9	Spec. Order	X8-STS-008-11
18	SCREW,HEX. CAP 3/8-16 x 2 1/4	1	Spec. Order	X8-HHC-050-42
19	SELF-LOCKING NUT 3/8-16	1	Spec. Order	X8-SLN-012-04
20	WASHER 3/8 STD. TYPE A	1	Spec. Order	X8-PW-016-03
22	GEARBOX HALF, INSIDE	1	Spec. Order	XB-LG0662
23	GEARBOX HALF, OUTSIDE	1	2062319	X8-LG0663
24	GEARBOX GASKET	1	2062320	X8-LG0428
25	OUTPUT GEAR	1	2062311	LG0543-01
26	JACK SHAFT R.H. UNIVERSAL MT.	1	2062313	LG0928
27	INPUT GEAR	1	2062312	LG0541-01
28	GROOVE PIN, TYPE E 1/4 x 1 1/2	1	2062321	X8-GP-014-07
29	SHIFT SHAFT, UNIVERSAL	1	2062314	LG0261-01
30	SHIFT LOCK BALL, STAINLESS STL.	1	2062322	X8-BAL-023-07
31	SHIFT LOCK SPRING, GALVANIZED	1	2062323	X8-SPG-020-36
32	IDLER GEAR	1	2062310	X8-LG0542-01
33	SPACER BUSHING	1	Spec. Order	XB-LG0219-01
36	SHIFT LOCK BOSS	1	Spec. Order	X8-LG0658-01

Eager Beaver Trailers 9-15 Ton HA & HDB Miscellaneous Parts & Paint Code List

PART NO.	DESCRIPTION
2054869	Deck Washer
2059133	Hex Head Bolt, Deck Washer, 3/8 x 2 1/2
2059134	Nut, Deck Washer, 3/8-16
2059901	Self-Tapping TORX Head Ramp Screw, 5/16-18 X 2 1/2
2060509	Nose Plate, 9-12 Ton HA & HDB
2060510	Nose Plate, 15HDB & 20-25 Ton
2054819	100,000 # Pintle Hook (Wallace Forge)
2060834	Aluminum Extension Ramps (Set)
2058065	Air Tank Remote Drain Valve
2059175	Glad Hand replacement rubber seal
2055360	Glad Hand - Brake Control Service (Blue)
2055361	Glad Hand - Tank Supply (Red)
2054732	9-12 Ton Safety Chain, 3/8" x 41", with Clevis Hook
2059366	9-12 Ton Weld-on Anchor, Safety Chain, 1/2" x 8"
2061063	9-12 Ton Clevis Hook, 3/8", Spring Loaded
2059431	15-25 Ton Safety Chain, 1/2" x 41", with Clevis Hook
2059432	15-25 Ton Weld-on Anchor, Safety Chain, 5/8" x 8"
2061064	15-25 Ton Clevis Hook, 1/2", Spring Loaded
2062129	Oblong Reflector - Amber
2062130	Oblong Reflector - Red
2060659	Truck Wiring Harness
2059270	Electric Brake Controller, Two - Eight Brakes
2060735	Eager Beaver Trailers Mud Flap - White 24" x 18"
2054733	Weld-on 5/8" Dia. Fixed D-Ring & Clip (6,130# WLL)
2063021	Weld-on Spare Tire Carrier for Hub Piloted Wheel
2063021	Weld-on Spare Tire Carrier for 17.5" Budd Wheel
2063022	Weld-on Spare Tire Carrier for 16 or 16.5" Budd

Eager Beaver Standard Colors	Manufactured After 8/6/10 Dupont Imron	MFG between 9/22/06 and 8/6/10 PPG Color Code
Yellow	H7947	FP827
Red	77968	FP703
Black	1640	FP901
Blue	3759	*
White	1632	FP951

* Custom Mixed Color, No Code Assigned