

# EAGER BEAVER

*New 2017 Edition*

## Parts & Service Manual

***SK6, SK7, SK8, SK9***

***B6DOW, B9DOW (Tridem)***

***B8 & B9DOW (Tandem)***

***Tag Trailers***



**ORDER GENUINE**



General Engines Co., Inc., 548 Swedesboro Ave., Mickleton, NJ 08056

**Parts (800) 338-7088**

**Sales (800) 257-8163**

*eagerbeavertrailers.com*



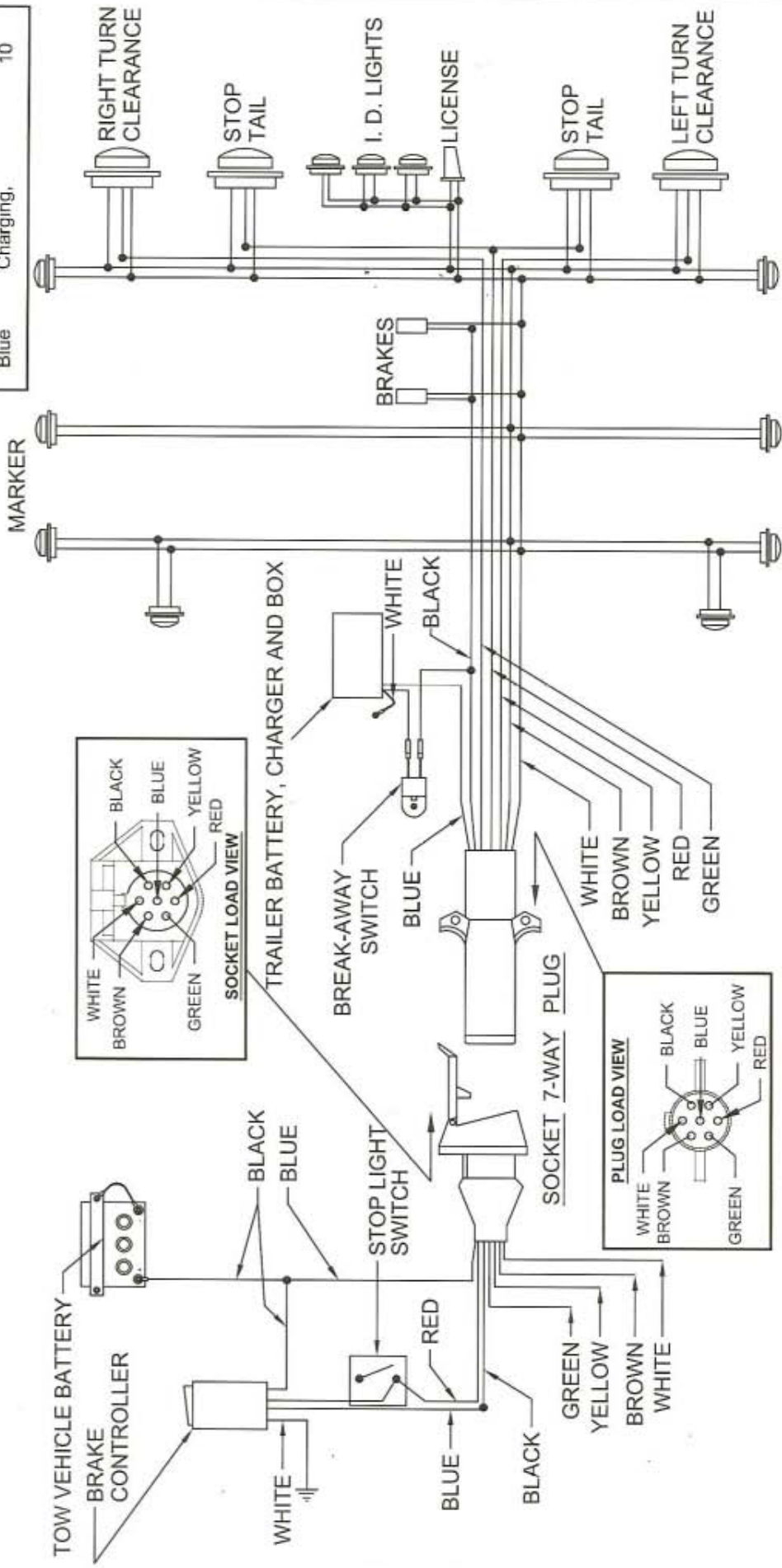
# Parts & Service Manual

*SK6, SK7 and B6DOW, B9DOW*

| <i>Table of Contents</i>                                       | <i>Page</i> |
|--|-------------|
| <b>Common Parts</b>  |             |
| Wiring Schematic   | 2           |
| Electric Brake Diagram and Parts (12" x 2")                    | 3           |
| Break Away Switch  | 4           |
| Eye Hitch Assembly   | 5           |
| Patented Roto-Ring   | 6           |
| Miscellaneous Parts and Paint Codes                            | 7           |
| <b>B6DOW and B9DOW Specific Parts Section</b>                  |             |
| Hub, Drum and Axle   | 9           |
| Suspension   | 10          |
| Wiring Harness Diagram   | 11          |
| Wiring Harness Part Numbers                                    | 12          |
| Decal Arrangement  | 13          |
| Decal Parts List   | 14          |
| Ramps  | 15          |
| Jack   | 16          |
| <b>SK6 and SK7 Specific Parts Section</b>                      |             |
| SK6 Hub & Drum   | 18          |
| SK7 Hub & Drum   | 19          |
| Electric Brake (SK7) Diagram (12" x 2.25")                     | 20          |
| Wiring Harness Diagram and Part Numbers                        | 21          |
| Decals, Ramps, Jack, and Miscellaneous Parts                   | 22          |
| <b>SK8 &amp; SK9; Tandem Axle B8 &amp; B9DOW Parts Section</b> |             |
| SK8 and B8DOW Hub & Drum                                       | 24          |
| SK9 and Tandem Axle B9DOW Hub & Drum                           | 25          |
| SK8-SK9 and B8-B9DOW (Tandem) Brakes                           | 26          |

# Electrical Wiring Schematic for Tow Behind Trailers with Electric Brakes

| Color  | Function             | Gauge |
|--------|----------------------|-------|
| White  | Ground               | 8     |
| Green  | Right Turn           | 14    |
| Yellow | Left Turn            | 14    |
| Brown  | Tail Lights          | 14    |
| Red    | Stop, ABS            | 10    |
| Black  | Electric Brake Power | 10    |
| Blue   | Charging,            | 10    |



**Notes:** The **Black** wire is *only* used on trailers with electric brakes.

For both air and electric brake trailers, the **BLUE** wire goes to the battery but keyed through the ignition switch and fused (50 amp)

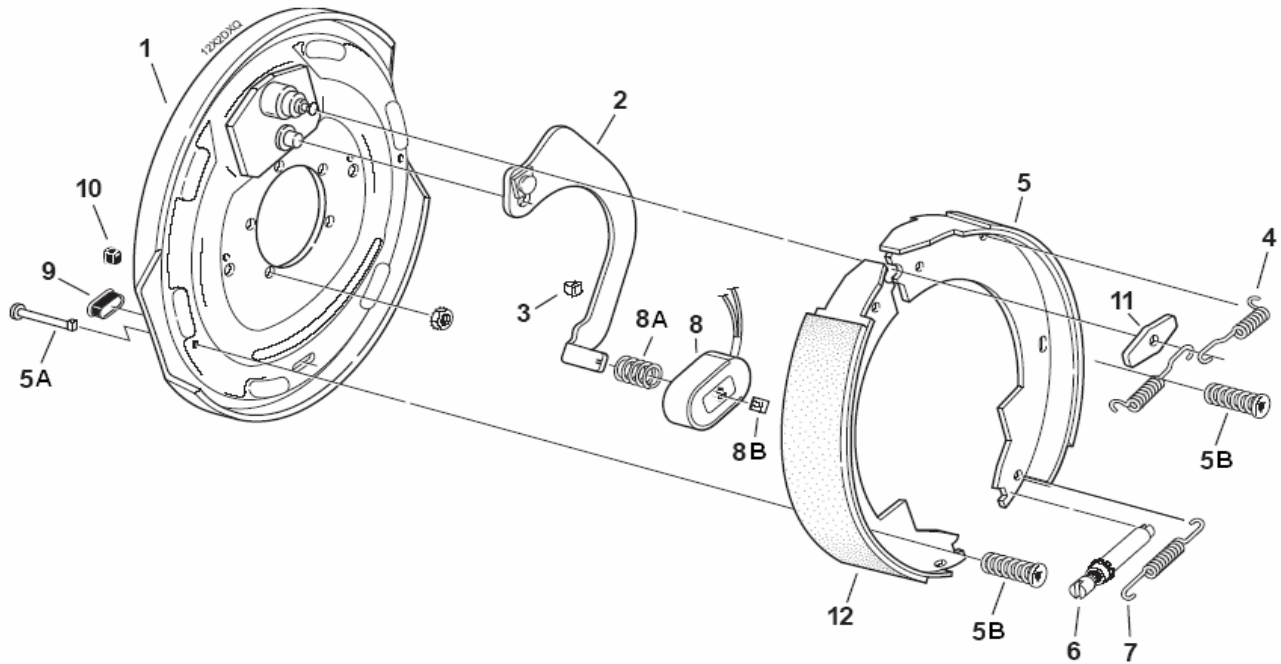
For both air and electric brake trailers, the **RED** wire goes to the stop light switch.

TL-6 trailers do **NOT** use the **RED** stop light circuit wire. The stop light function comes through the Green and Yellow turn signal wires

**CAUTION!**

Trailers built between October 1, 1993 and February 28, 1998 have the **BLUE** and the **BLACK** function are reversed. **BLUE** for brakes and **BLACK** for charging.

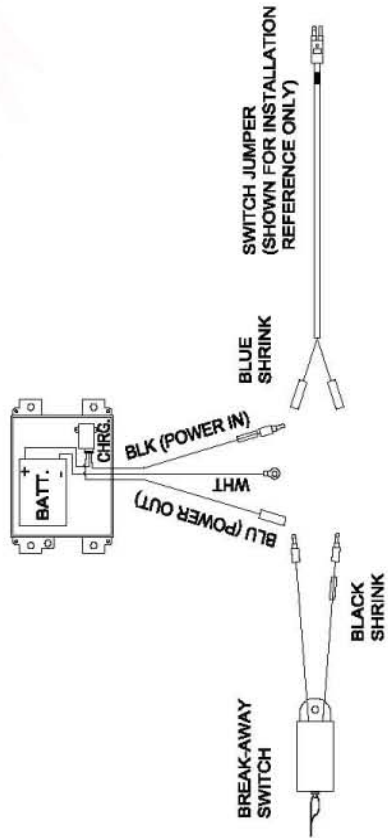
**Eager Beaver Trailers**  
**DOW, B6-B9DOW, AP10, AP10L, and SK Electric Brake Components**



| <b>Item Description</b>                        | <b>Part #</b> |
|--|---------------|
| 1 Backing Plate (Comes with complete Assembly) | none          |
| 2 Adjuster Lever LH                            | 2054838       |
| 2 Adjuster Lever RH                            | 2054839       |
| 3 Wire Clip                                    | 2054846       |
| 4 Shoe Retractor Spring (two per wheel)        | 2054857       |
| 5A Pin - Brake Shoe Hold Down                  | 2059001       |
| 5B Spring - Brake Shoe Hold Down               | 2059000       |
| 6 Adjuster Screw                               | 2054848       |
| 7 Adjuster Spring                              | 2054621       |
| 8 Magnet Kit (includes Clip & Spring)          | 2054840       |
| 8A Magnet Clip (comes with Item 8)             | 2054849       |
| 8B Magnet Spring (comes with Item 8)           | 2059415       |
| 9 Rubber Plug                                  | 2054842       |
| 10 Wire Grommet                                | 2054843       |
| 11 Anchor Post Washer                          | 2059457       |
| 12 Shoe & Lining Kit (one per wheel)           | 2054610       |
| Complete Brake Assy LH                         | 2054835       |
| Complete Brake Assy RH                         | 2054836       |

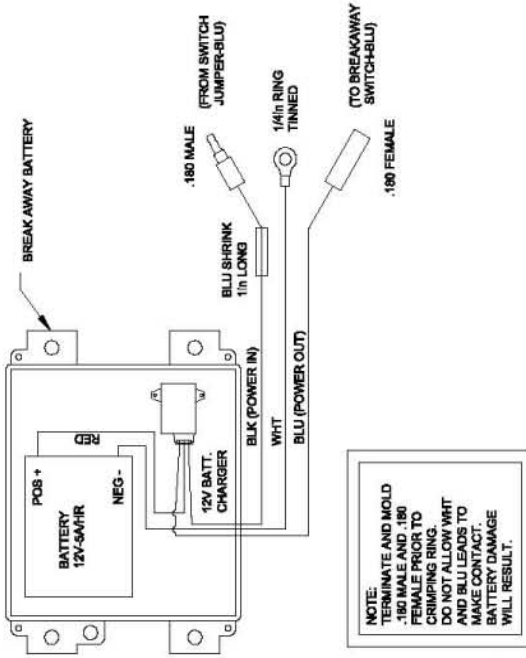
# Break Away Wiring Kit

## Battery Box Assembly



| Part Number | Description   |
|-------------|---|
| 2060962     | Complete Dry Cell Break Away Kit w/ Battery, Battery Box, & Charger |
| 2060882     | Replacement Dry Cell Battery  |
| 2054748     | Replacement Break Away Switch (BAS)                                 |
| 2054782     | Replacement BAS Pull Pin for use with 2054748 only                  |

## Break Away Wiring Schematic

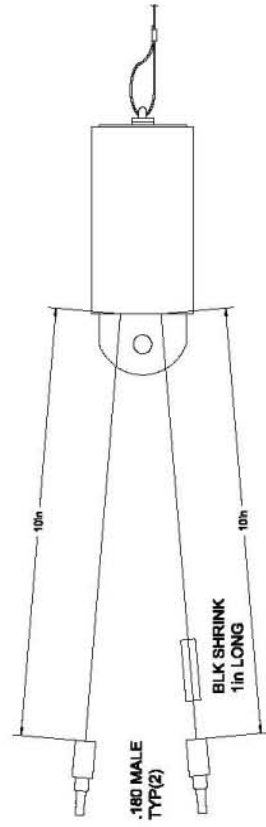


NOTE: TERMINATE AND MOLD .180 MALE AND .180 FEMALE PRIOR TO CRIMPING RING. DO NOT ALLOW WHT AND BLU LEADS TO MAKE CONTACT. BATTERY DAMAGE WILL RESULT.

## ▲ Cable: 2/12 BLK/WHT

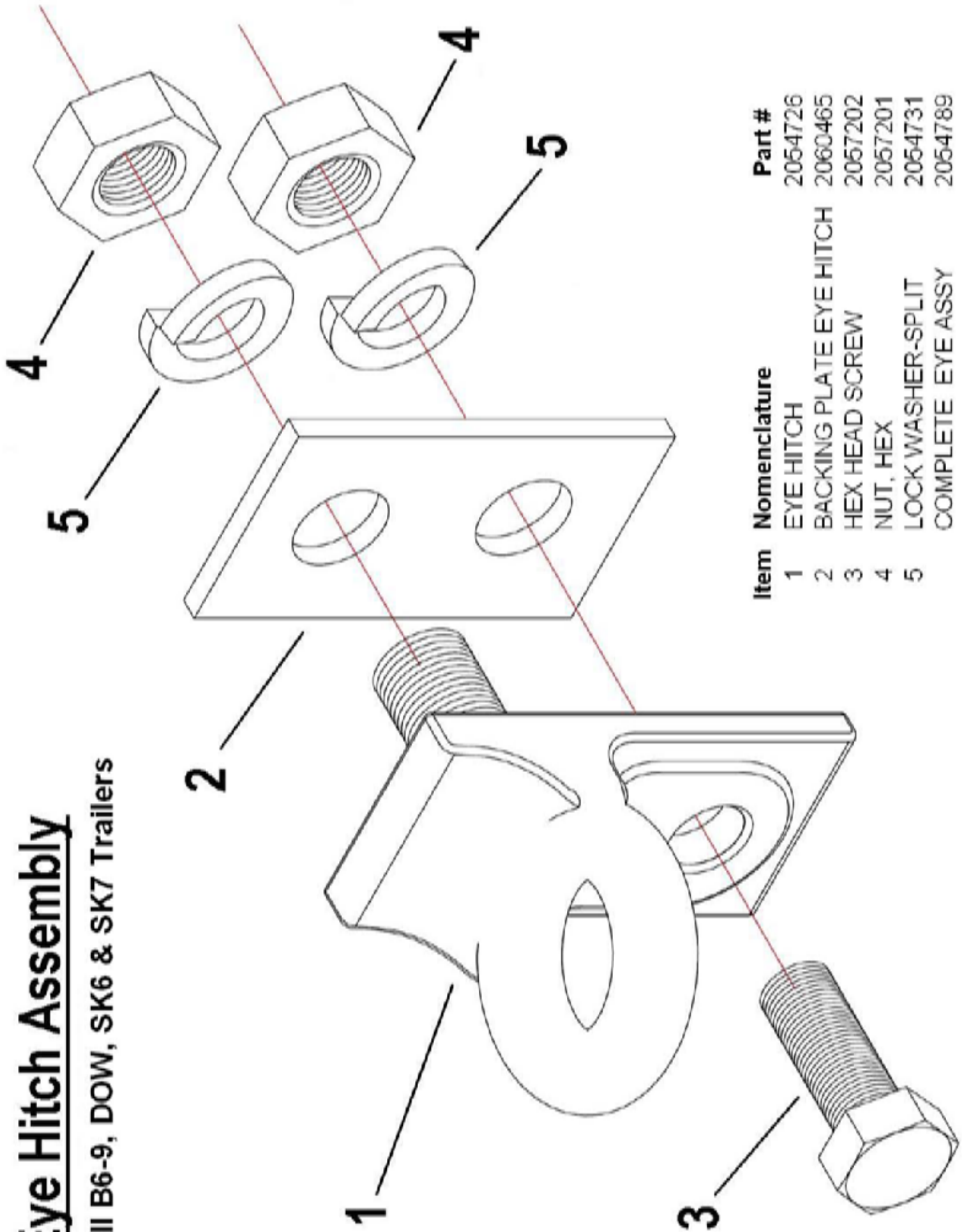


## Break Away Switch



# Eye Hitch Assembly

All B6-9, DOW, SK6 & SK7 Trailers



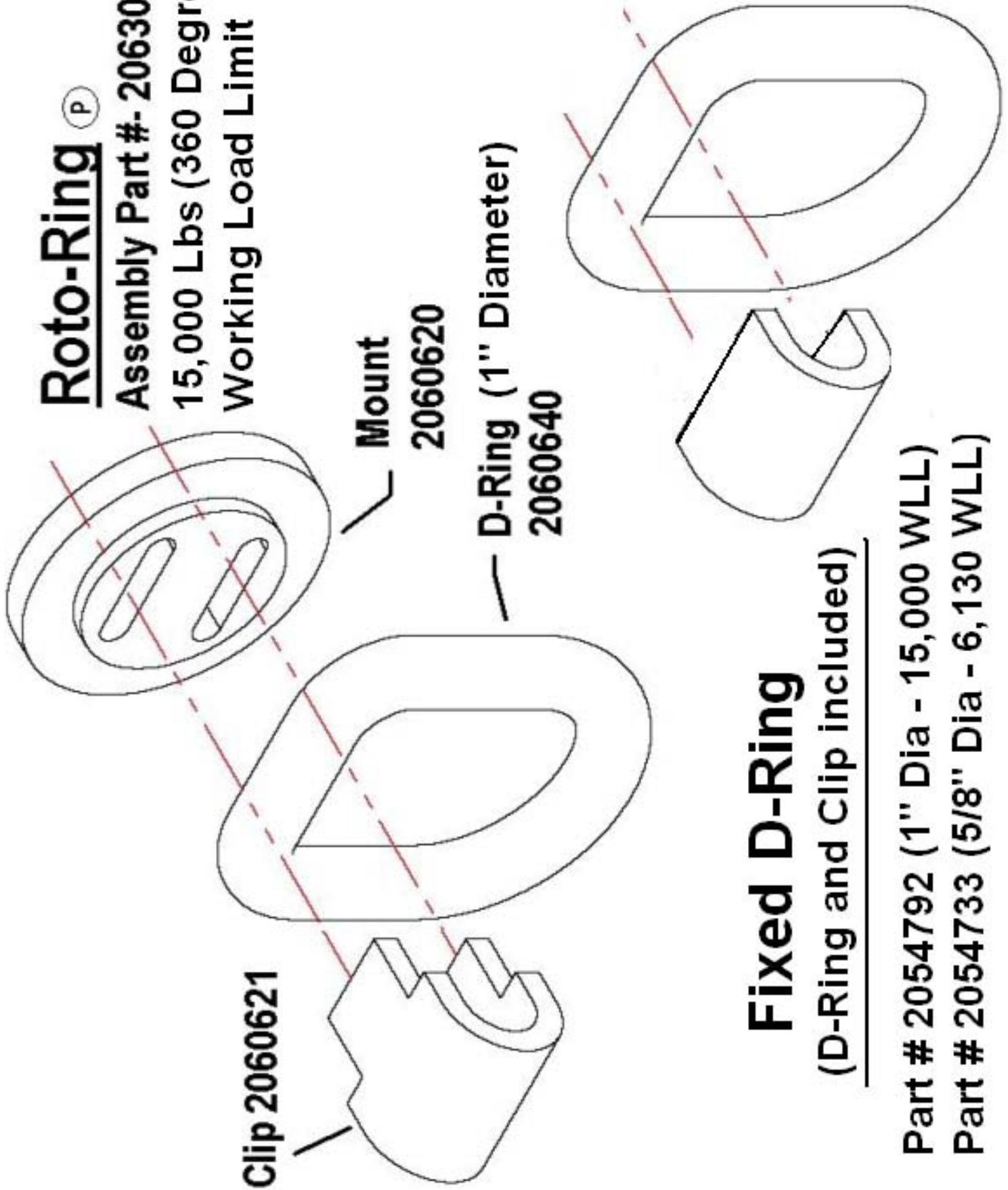
| Item | Nomenclature            | Part #  |
|------|-------------------------|---------|
| 1    | EYE HITCH               | 2054726 |
| 2    | BACKING PLATE EYE HITCH | 2060465 |
| 3    | HEX HEAD SCREW          | 2057202 |
| 4    | NUT, HEX                | 2057201 |
| 5    | LOCK WASHER-SPLIT       | 2054731 |
|      | COMPLETE EYE ASSY       | 2054789 |

# Roto-Ring <sup>®</sup> <sub>P</sub>

Assembly Part #- 2063020

15,000 Lbs (360 Degree)

Working Load Limit



## **Fixed D-Ring**

(D-Ring and Clip included)

Part # 2054792 (1" Dia - 15,000 WLL)

Part # 2054733 (5/8" Dia - 6,130 WLL)

## Eager Beaver Trailers Model SK & B6-B9DOW Miscellaneous Parts & Paint Code List

| <b>PART NO.</b> | <b>DESCRIPTION</b>                               |
|-----------------|--|
| 2054869         | Deck Washer                                      |
| 2059133         | Hex Head Bolt, Deck Washer, 3/8 x 2 1/2          |
| 2059134         | Nut, Deck Washer, 3/8-16                         |
| 2054732         | Safety Chain, 3/8" x 41", with Clevis Hook       |
| 2059366         | Weld-on Anchor, Safety Chain, 1/2" x 8"          |
| 2061063         | Clevis Hook, 3/8", Spring Loaded                 |
| 2062129         | Oblong Reflector - Amber                         |
| 2062130         | Oblong Reflector - Red                           |
| 2060659         | Truck Wiring Harness                             |
| 2059270         | Electric Brake Controller, Two - Eight Brakes    |
| 2060735         | Eager Beaver Trailers Mud Flap - White 24" x 18" |
| 2063022         | Weld-on Spare Tire Carrier for 16 or 16.5" Budd  |

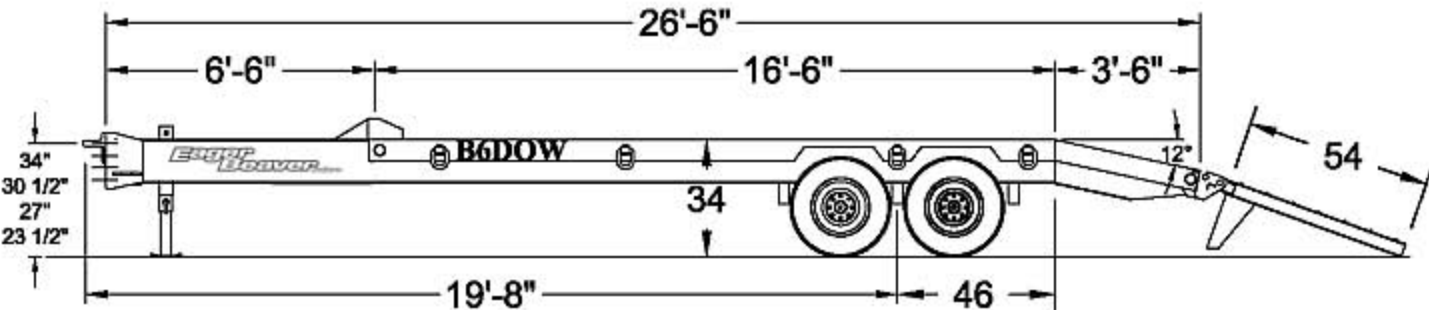
| <b>Eager Beaver</b>    | <b>Manufactured<br/>After 8/6/10</b> | <b>MFG between<br/>9/22/06 and 8/6/10</b> |
|------------------------|--------------------------------------|---|
| <b>Standard Colors</b> | <b>Dupont Imron</b>                  | <b>PPG Color Code</b>                     |
| Yellow                 | H7947                                | FP827                                     |
| Red                    | 77968                                | FP703                                     |
| Black                  | 1640                                 | FP901                                     |
| Blue                   | 3759                                 | *   |
| White                  | 1632                                 | FP951                                     |

\* Custom Mixed Color, No Code Assigned

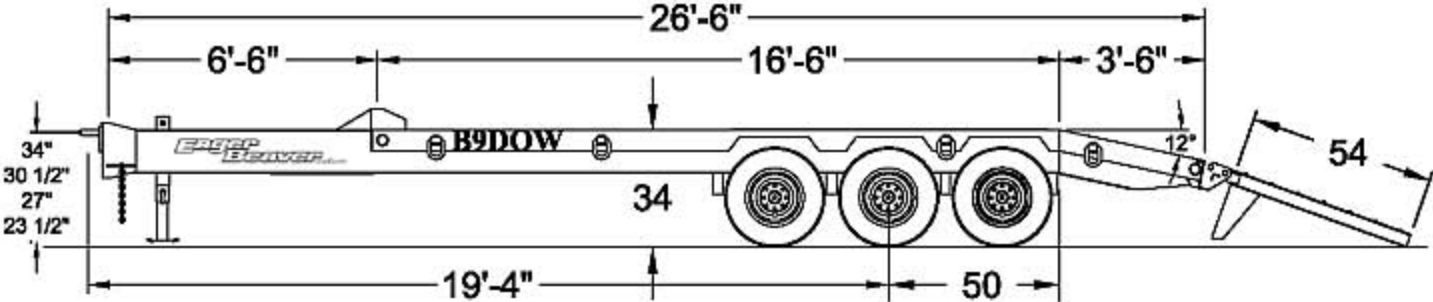


# Model B6DOW and B9DOW Parts Section

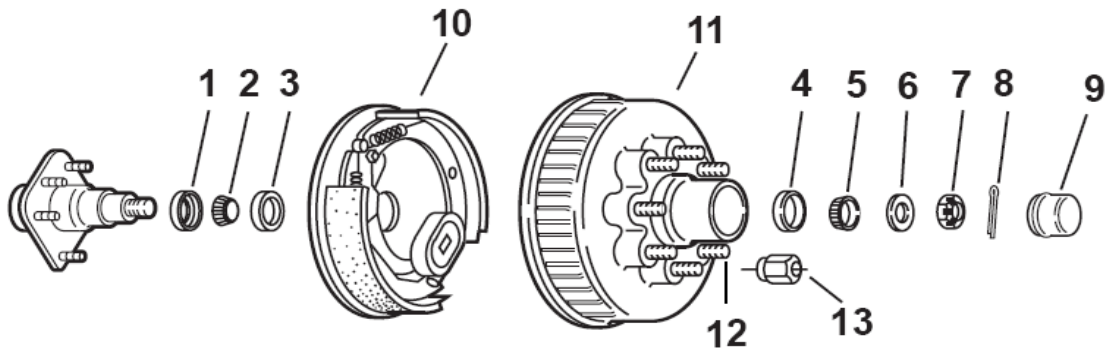
Model: B6DOW



Model: B9DOW



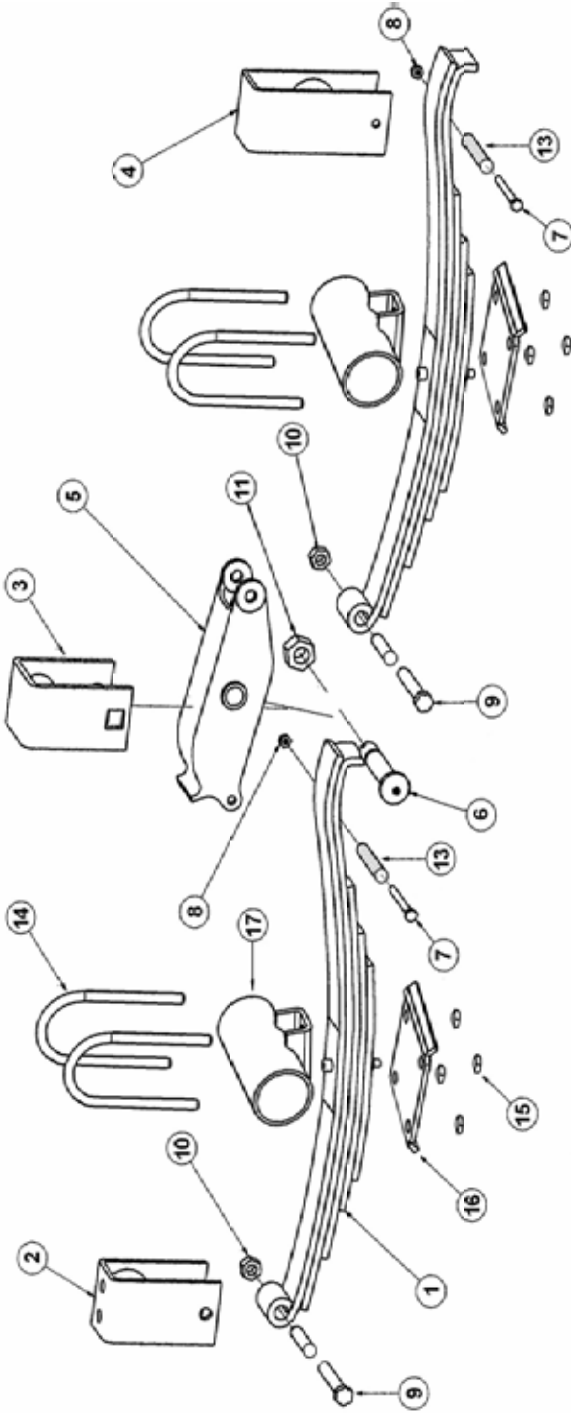
**Eager Beaver Trailers  
B6-B9DOW and AP10L Hub & Drum**



| Item | Description                                    | Part #        |
|------|--|---------------|
|      | Complete Torflex Axle (AP10L) (93" HF)         | 2056075       |
|      | Bare Beam Torflex Axle (AP10L)                 | Special Order |
|      | Complete Axle (B6-B9DOW)                       | 2057101       |
|      | Bare Beam (B6-B9DOW)                           | 2057110       |
| 1    | Seal, 2.225" ID                                | 2059369       |
| 2    | Inner Bearing                                  | 2054855       |
| 3    | Inner Race                                     | 2054856       |
| 4    | Outer Race                                     | 2057103       |
| 5    | Outer Bearing                                  | 2057104       |
| 6    | Spindle Washer                                 | 2054604       |
| 7    | Spindle Nut                                    | 2054605       |
| 8    | Cotter Pin                                     | 2059019       |
| 9    | Grease Cap                                     | 2057105       |
| 10   | Complete Brake Assy LH                         | 2054835       |
| 10   | Complete Brake Assy RH                         | 2054836       |
| 11   | Drum with 9/16" Studs (AP10L)                  | 2062267       |
| 11   | Drum with 1/2" Studs (B6-B9DOW)                | 2057102       |
| 12   | Stud - 9/16" (AP10L)                           | 2062028       |
| 12   | Stud - 1/2" (B6-B9DOW)                         | 2057644       |
| 13   | Nut - 9/16" - 18, 60° Cone (AP10L)             | 2062027       |
| 13   | Nut - 1/2" - 20, 60° Cone (B6-B9DOW)           | 2057109       |
|      | Rim 16.5 X 6.75 (B6-B9DOW*)                    | 2057106       |
|      | Rim 16.0 X 6.00 (AP10L, B6-B9DOW*)             | 2060499       |
| *    | Prior to 1998: 16.5" rims with 9.50-16.5 Tires |               |
| *    | 1998 - Feb 2008: 16" rims with 235/85R16 Tires |               |
| *    | Mar 2008 onward: 16" rims with 235/80R16 Tires |               |

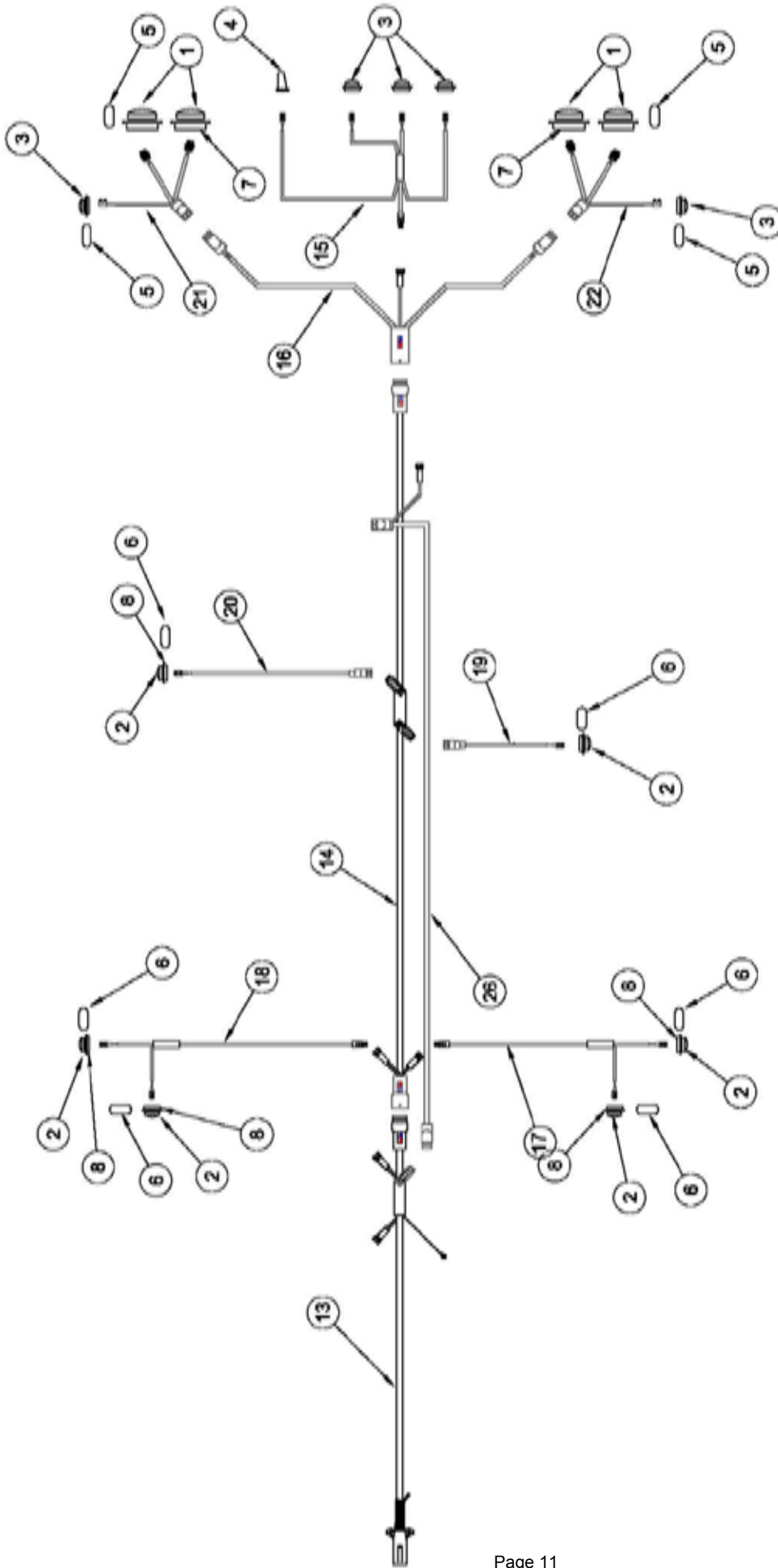
# Eager Beaver Trailers

## Model B6 and B9 DOW Suspension

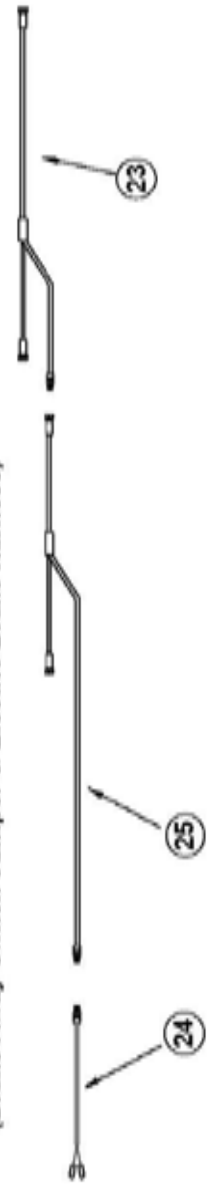


| Item | Description  | Part #  |
|------|--|---------|
| 1    | DX, SPRING, SLIPPER, 6K,                                       | 2054712 |
| 2    | DX, HANGER, FRONT, 5" HIGH, 2" SPRING                          | 2054860 |
| 3    | DX, HANGER, CENTER-EQUALIZER, 5-1/2"HIGH, 2" SPRING            | 2054861 |
| 4    | DX, HANGER, REAR, 8.38" HIGH, 2" SPRING                        | 2054863 |
| 5    | DX, EQUALIZER, 3.5K-8K AXLE, 2"SPRING                          | 2054715 |
| 6    | DX, BOLT,CARRIAGE, 7/8-9 X 4-5/8 W/ GREASE FITTING (EQUALIZER) | 2054722 |
| 7    | DX, BOLT,HEX HEAD, 5/16-18 X 3-1/4",GRADE 2                    | 2059360 |
| 8    | DX, NUT, HEX LOCK, 5/16-18                                     | 2059359 |
| 9    | DX, BOLT,SPRING EYE, 9/16-18 X 3-1/2",GR 5                     | 2054720 |
| 10   | DX, NUT, SPRING EYE, 9/16-18                                   | 2059028 |
| 11   | DX, NUT,HEX,LOCK, 7/8-9,GRADE B                                | 2059245 |
| 12   | DX, BUSHING, SPRING EYE, 0.51"ID X 0.67"OD X 1.95" LONG        | 2057629 |
| 13   | DX, SPACER, 0.57"ID X 1.31"OD X 2.2" LONG - SLIPPER END        | 2054719 |
| 14   | DX, U-BOLT, 3"DIA TUBE, 1/2-20 X 6.63" LONG                    | 2054717 |
| 15   | DX, U-BOLT, NUT  | 2059054 |
| 16   | DX, TIE PLATE, 3"TUBE, 2"SPRING, 1/2"DIA. U-BOLT               | 2054721 |
| 17A  | DX, 6K AXLE COMPLETE W 865 HUB,STRT,ELEC., 86.00" TRACK, 70"SC | 2057101 |
| 17B  | DX, 6K AXLE BEAM ONLY,STRAIGHT, 86.00"TRACK, 70.00"SC          | 2057110 |

Eager Beaver B6DOW & B9DOW Electrical System  
with "LED" Lights and USA Harness "PLUS" System Harness



6 - 15 Ton Electric Brake Add-On Harness  
(Brake Away Switch Jumper & Electric Brake Harness)



## PLUS HARNESS AND LED LIGHTS PARTS LIST

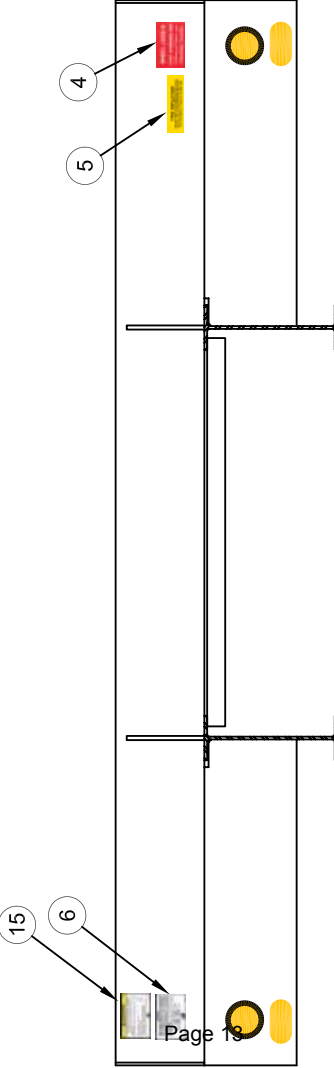
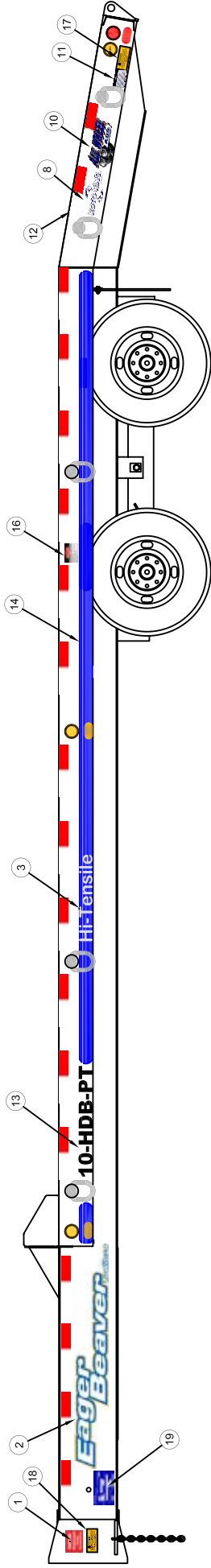
| Item | Part no | Qty | Description                            |
|------|---------|-----|--|
| 1    | 2062094 | 4   | S/T/T "LED" LIGHT                      |
| 2    | 2062095 | 6   | 2.5" AMBER LED MARKER LIGHT            |
| 3    | 2062093 | 5   | 2.5" RED LED MARKER LIGHT              |
| 4    | 2057075 | 1   | LICENSE PLATE LIGHT (One Piece design) |
|      | 2057022 | 1   | LICENSE LIGHT HOUSING (2 Piece design) |
|      | 2057074 | 1   | LIGHT (for 2 Piece Housing Only)       |
| 5    | 2062130 | 2   | OBLONG RED REFLECTOR                   |
| 6    | 2062129 | 6   | OBLONG AMBER REFLECTOR                 |
| 7    | 2057067 | 4   | GROMMET, BLACK S/T/T 4"                |
| 8    | 2057069 | 12  | GROMMET, MARKER 2.5"                   |
| 9-12 |         |     | not used                               |
| 13   | 2062107 | 1   | TAG NOSE END,12'                       |
| 14   | 2062108 | 1   | TAG 10-15 MAIN, 26' PLUS               |
| 15   | 2062193 | 1   | TAILBOARD I.D., PLUS LED               |
| 16   | 2062061 | 1   | TAILBOARD CENTER,ALL PLUS              |
| 17   | 2062194 | 1   | FRONT MARKER, 2-LT, 39" PLUS LED       |
| 18   | 2062195 | 1   | FRONT MARKER, 2-LT, 81" PLUS LED       |
| 19   | 2062196 | 1   | CNTR MARKER,4-POLE, 51" PLUS LED       |
| 20   | 2062197 | 1   | CNTR MARKER,4-POLE, 87" PLUS LED       |
| 21   | 2062198 | 1   | C/S "LED"PGTL,TAG, 14" PLUS LED        |
| 22   | 2062199 | 1   | S/S "LED"PGTL,TAG, 14" PLUS LED        |
| 23   | 2062025 | 1   | 3RD AXLE CROSS-OVER B9DOW ONLY         |
| 24   | 2062043 | 1   | BREAK AWAY SWITCH JUMPER               |
| 25   | 2062042 | 1   | BRAKE HARNESS, HDB, 19'                |
| 26   |         |     | Not used on Electric Brake Trailers    |
| 27   |         |     | Not used on Electric Brake Trailers    |
| 28   |         |     | Not used on Electric Brake Trailers    |
| 29   |         |     | Not used on Electric Brake Trailers    |
| KIT  | 2061048 | 1   | ELECTRIC BRAKE ITEMS 24 AND 25         |
| KIT  | 2062200 | 1   | COMPLETE PLUS HARNESS ASSEMBLY *       |

\* (LESS ABS ITEMS 26, 27, 28 AND LESS ELEC BRAKE ITEMS 23, 24, 25)

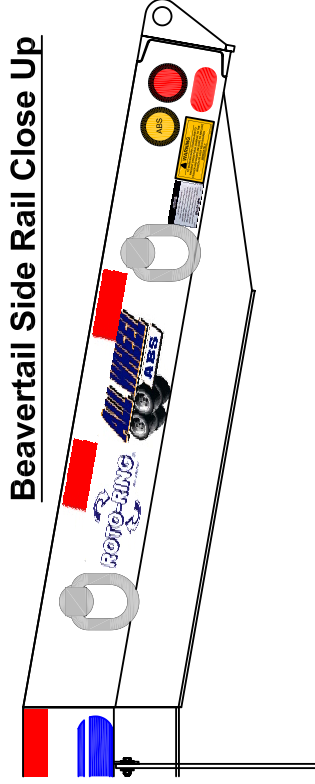
Note: Harness Kits do NOT include Lights, Grommets, or Reflectors

# Decal Arrangement for 10 - 12 Tag

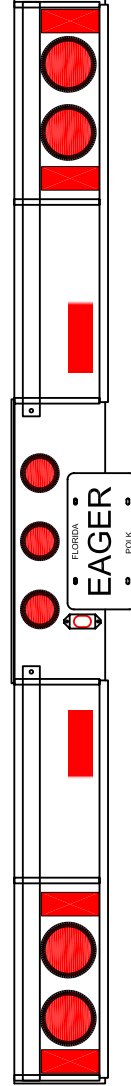
Top View Behind Nose Plate



Front of Headboard



Beavertail Side Rail Close Up

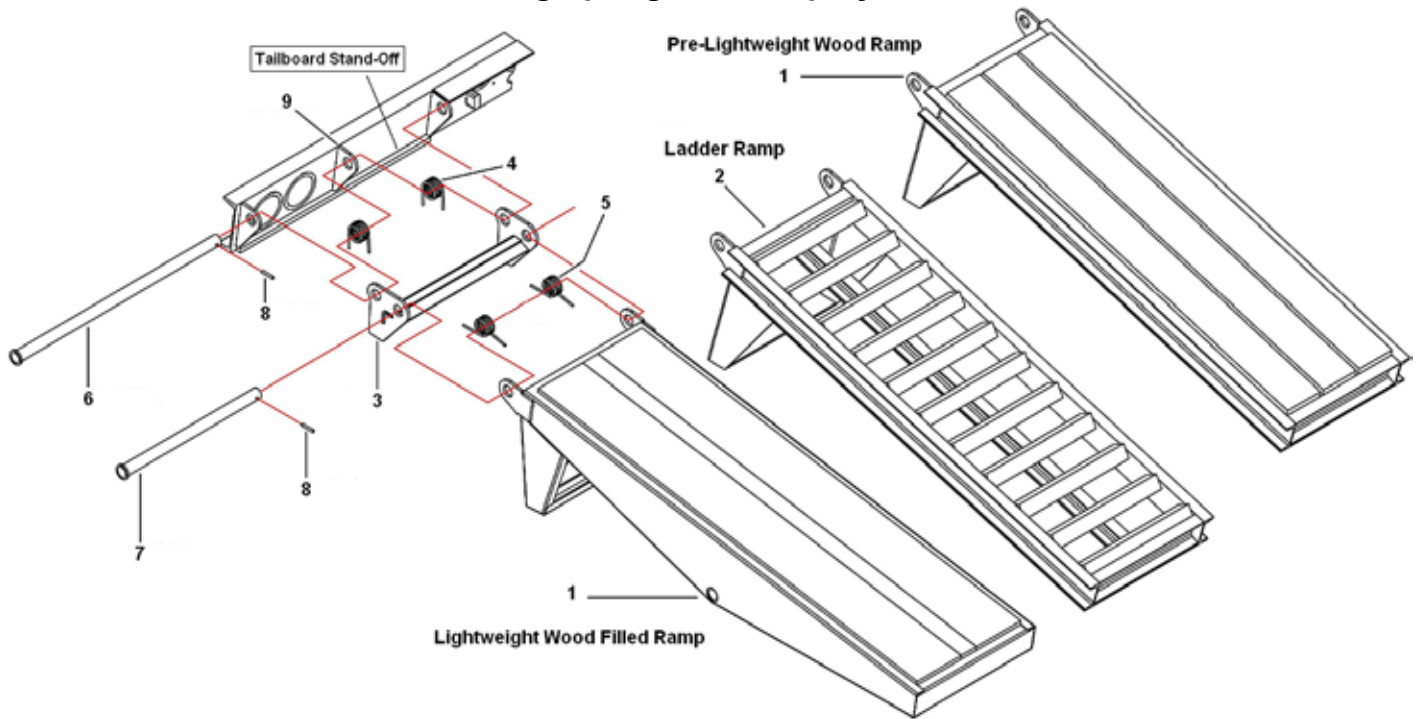


Rear of Tailboard

## Eager Beaver Trailers Model B6DOW & B9DOW Trailer Decals

| ITEM | PART #  | QTY | DESCRIPTION                              |
|------|---------|-----|--|
| 1    | 2059014 | 1   | TRAILER CONNECTED WARNING                |
| 2    | 2059370 | 2   | LARGE BLUE EAGER BEAVER, GOLD TRIM       |
| 3    | 2059325 | 2   | HI TENSILE, WHITE                        |
| 4    | 2059016 | 1   | CHECK WHEEL LUG                          |
| 5    | 2059162 | 1   | TIRE INFLATION INFO                      |
| 6    | 2062207 | 1   | DEXTER SUSPENSION TORQUE                 |
| 7    | 2062208 | 1   | USA HARNESS DECAL (NOT IN KIT)           |
| 8    | 2060618 | 2   | ROTO-RING                                |
| 9    | 2062006 | 1   | CAUTION TRAILER EQPT W / ELECTRIC BRAKES |
| 10   |         |     | Not used on Model B6 or B9DOW            |
| 11   |         |     | Not used on Model B6 or B9DOW            |
| 12   | 2060608 | 50  | RED-WHITE CONSPICUITY STRIPING           |
| 13   | 2059465 | 2   | B6DOW                                    |
|      | 2059166 | 2   | B9DOW                                    |
| 14   | 2059249 | 40  | BLUE STRIPE (EB YELLOW TRAILERS)         |
|      | 2061081 | 40  | WHITE STRIPE (RED, BLUE, BLACK TRAILERS) |
| 15   | 2062209 | 1   | DEXTER WHEEL TORQUE                      |
| 16   |         |     | Not used on Model B6 or B9DOW            |
| 17   | 2062173 | 1   | REPLACE DAMAGED WOOD                     |
| 18   | 2062174 | 1   | PREVENT DAMAGE - LOAD ON EVEN GROUND     |
| 19   | 2062177 | 1   | SINGLE WHEEL VIN PLATE                   |

## Eager Beaver Model B6DOW & B9DOW Tag Trailers Double Acting Spring and Ramp System Shown

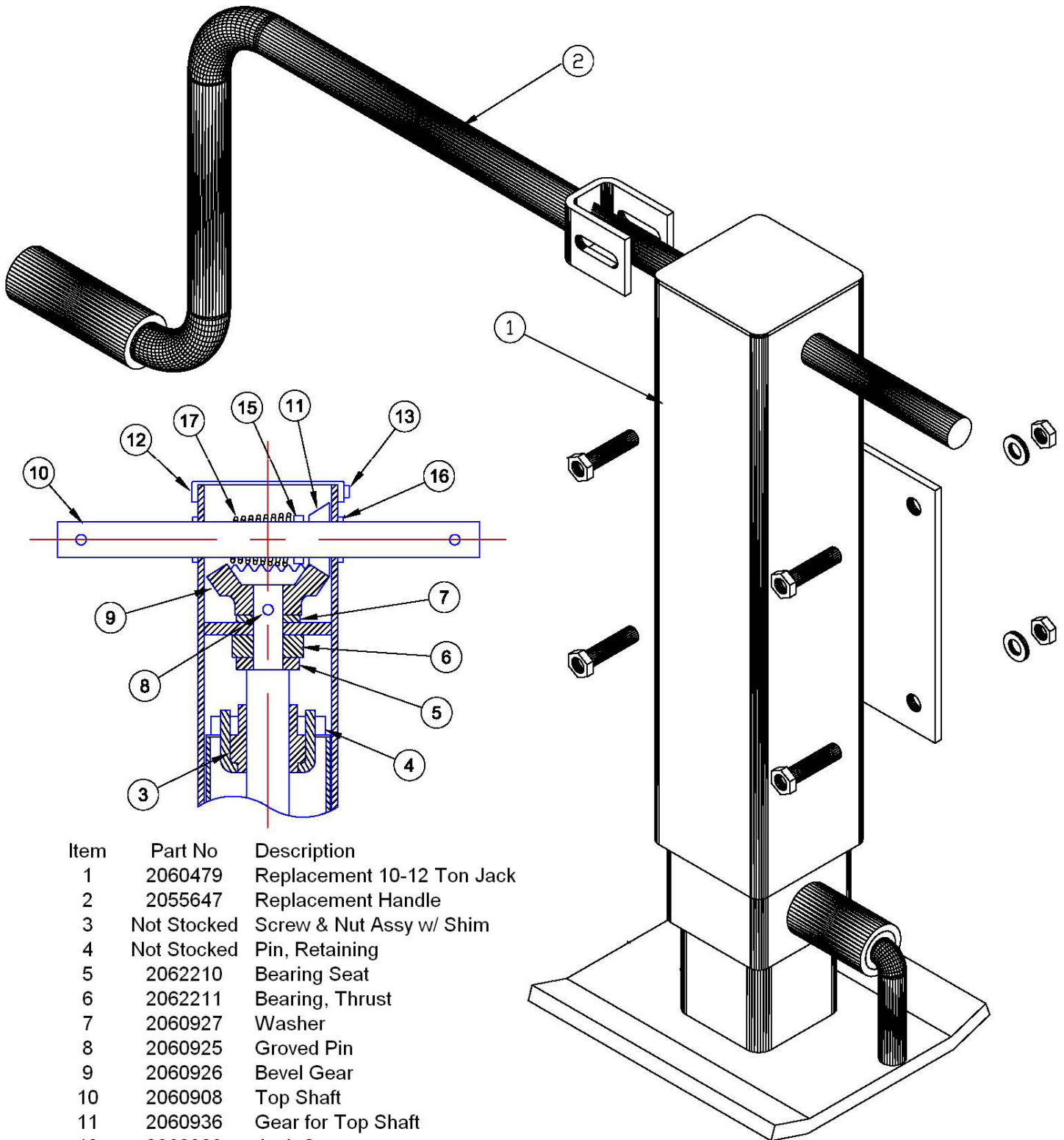


| <u>Item</u> | <u>Part No.</u> | <u>Description</u>   |
|-------------|-----------------|--|
| 1           | 982102          | 6-9 Ton 5' Lightweight Wood, 16.5" Bucket (Double Acting)      |
|             | 2057113         | 6-9 Ton 5' pre-Lightweight Wood, 16.5" Bucket (Single Acting*) |
| 2           | 991801          | 6-9 Ton 5' Ladder, 16.5" Bucket (Double Acting)                |
|             | 2059459         | 6-9 Ton 5' Ladder, 16.5" Bucket (Single Acting*)               |
| 3           | 2062168         | Double Acting Movable Link (23" W) LW Style Ramps Only         |
|             | 991846          | Double Acting Movable Link (20" W) Ladder & pre-LW Ramps Only  |
|             | 2057173         | Single Acting* Movable Link                                    |
| 4           | 2062135         | Tail Board Side Spring (one leg longer)                        |
|             | 2059230         | LD Double Spring - Single Acting* (Not Shown)                  |
| 5           | 2062134         | Ground Side Spring (both legs same length)                     |
| 6           | 2059186         | Ramp Pivot Pin 36.5"   |
| 7           | 2063220         | 1.5" Dia. Ramp Pivot Pin 25" Long (LW Style Ramps Only)        |
|             | 2054640         | 1.5" Dia. Ramp Pivot Pin 22" Long (Ladder & pre-LW Ramps Only) |
| 8           | 2059020         | Roll Pin - Ramps   |
| 9           | 2062169         | Fixed Link (For Double Acting Movable Link)                    |
|             | 2059364         | Fixed Link (For Single Acting* Movable Link)                   |
|             | 178504          | Tailboard standoff (2 required)                                |
|             | 142014          | Replacement 16.5" Bucket - Ladder Ramps                        |

\* Single Acting Spring & Ramps Provide Lift Assistance Off Of Ground Only



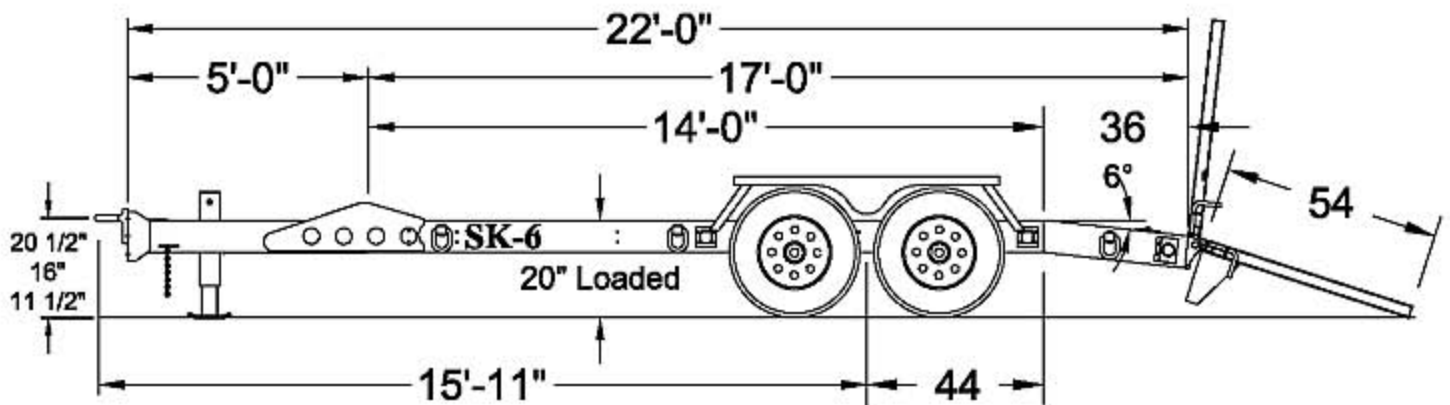
## 6 - 12 Ton Square Jack



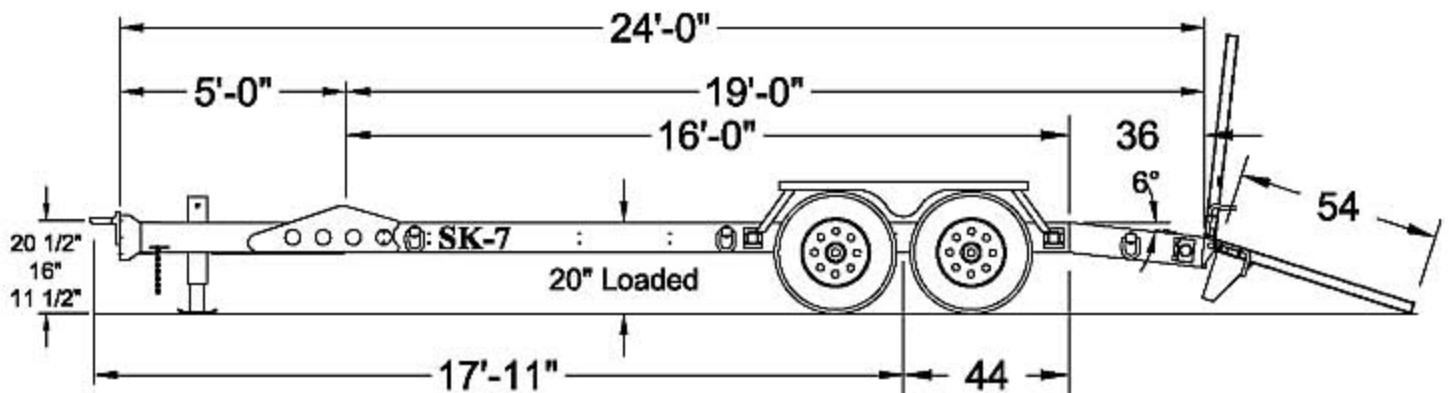
| Item | Part No     | Description                |
|------|-------------|----------------------------|
| 1    | 2060479     | Replacement 10-12 Ton Jack |
| 2    | 2055647     | Replacement Handle         |
| 3    | Not Stocked | Screw & Nut Assy w/ Shim   |
| 4    | Not Stocked | Pin, Retaining             |
| 5    | 2062210     | Bearing Seat               |
| 6    | 2062211     | Bearing, Thrust            |
| 7    | 2060927     | Washer                     |
| 8    | 2060925     | Groved Pin                 |
| 9    | 2060926     | Bevel Gear                 |
| 10   | 2060908     | Top Shaft                  |
| 11   | 2060936     | Gear for Top Shaft         |
| 12   | 2060909     | Jack Cap                   |
| 13   | Not Stocked | Screw 12-14 x .5"          |
| 14   | Not Used    |                            |
| 15   | 2062212     | Straight Pin .025 x 1.27   |
| 16   | 2062213     | Bushing, Hex               |
| 17   | 2062214     | Spring, Compression Spacer |

# Model SK6 and SK7 Parts Section

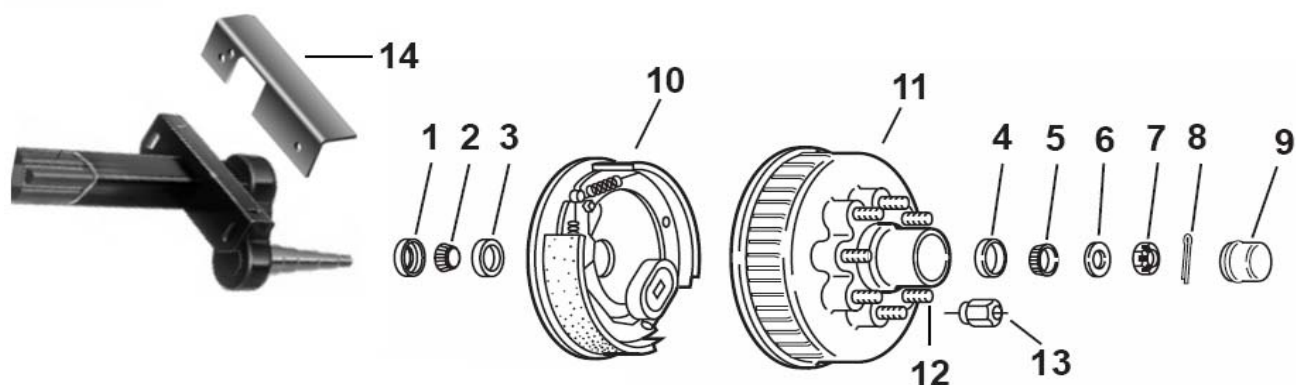
Model: SK6



Model: SK7

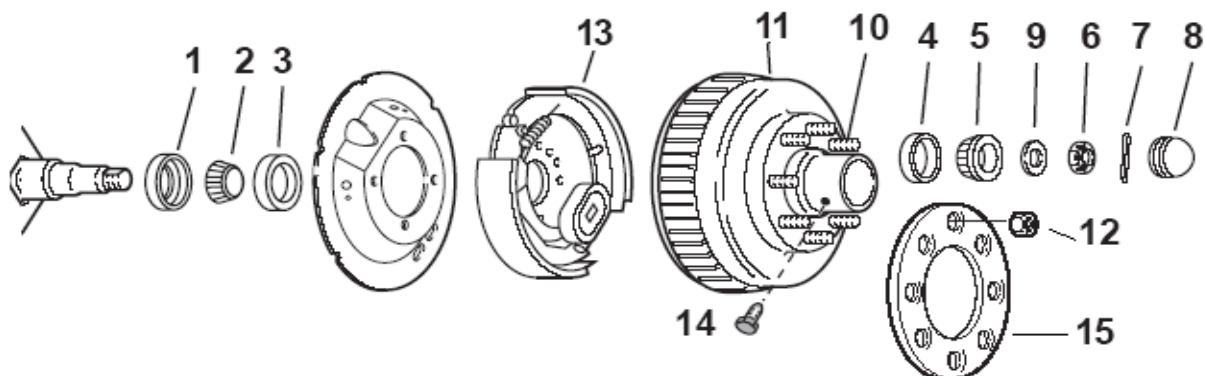


Eager Beaver Trailers  
 SK6 Hub & Drum (865 Hub Group)



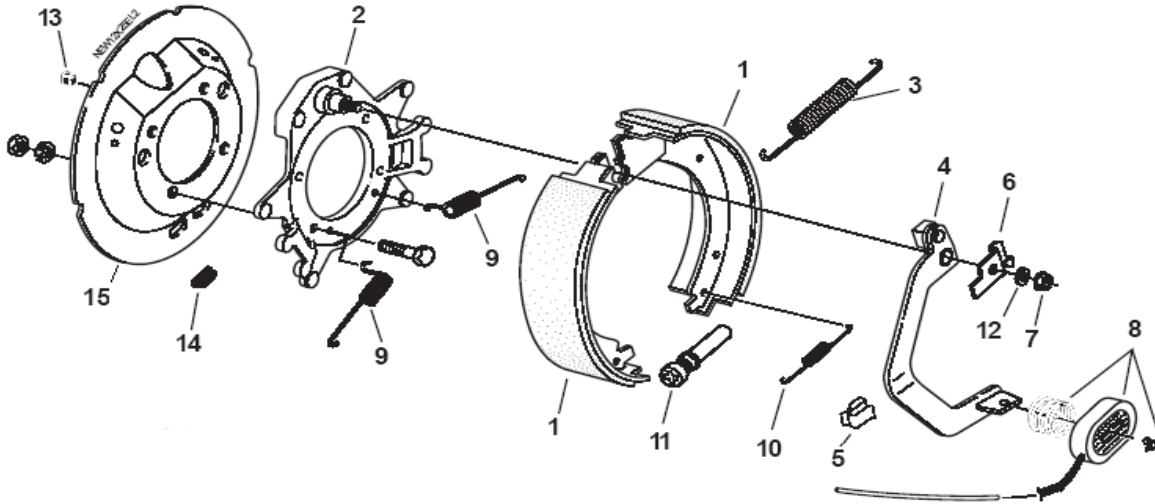
| Item | Description                             | Part #        |
|------|---|---------------|
|      | SK6-12S Torflex, 93.4" HF Beam Only     | Special Order |
|      | SK6-12S Torflex, with 865 hub, 94.4" HF | 331019        |
| 1    | Grease Seal, 2.225" ID                  | 2059369       |
| 2    | Inner Bearing                           | 2054855       |
| 3    | Inner Race                              | 2054856       |
| 4    | Outer Race                              | 2057103       |
| 5    | Outer Bearing                           | 2057104       |
| 6    | Spindle Washer                          | 2054604       |
| 7    | Spindle Nut                             | 2054605       |
| 8    | Cotter Pin                              | 2059019       |
| 9    | Grease Cap                              | 2057105       |
| 10   | Complete Brake Assy LH (12" x 2")       | 2054835       |
| 10   | Complete Brake Assy RH (12" x 2")       | 2054836       |
| 11   | Drum with 9/16" Studs                   | 2062267       |
| 12   | Stud, 9/16" - 18                        | 2062028       |
| 13   | Nut, 9/16" - 18, 60° Cone               | 2062027       |
| 14   | Axle Attaching Hardware                 | 321024        |
|      | Rim 16.0 X 6.00 (SK6) (No Clamp Ring)   | 2060499       |

Eager Beaver Trailers  
SK7 Hub & Drum (865 Hub Group)



| Item | Description                                       | Part #        |
|------|---|---------------|
|      | SK7-12V Torflex, 93.88" HF Beam Only              | Special Order |
|      | SK7-12V Torflex with 865 hub, 93.88" HF           | 331020        |
| 1    | Grease Seal                                       | 010-036-00    |
| 2    | Inner Bearing, 205580                             | 2054855       |
| 3    | Inner Race, 205520                                | 2054856       |
| 4    | Outer Race, 02420                                 | 031-028-01    |
| 5    | Outer Bearing, 02475                              | 031-028-02    |
| 6    | Spindle Nut                                       | 006-176-00    |
| 7    | Cotter Pin  | 019-002-00    |
| 8    | Grease Cap  | 2057105       |
| 9    | Spindle Washer                                    | 2054604       |
| 10   | Stud, 5/8" - 18                                   | 007-224-00    |
| 11   | Drum with 5/8" Studs (7,200 Lb), Grease Lube      | 008-393-06    |
| 12   | Nut, 5/8" - 18, 90° Cone                          | 2057646       |
| 13   | Complete Brake Assy LH (12" x 2.5")               | 023-428-00    |
| 13   | Complete Brake Assy RH (12" x 2.5")               | 023-429-00    |
| 14   | Hub Plug  | 2057519       |
| 15   | Clamp Ring (must use with #12, 90° Cone Nut)      | 2057083       |
|      | Axle Attaching Hardware                           | 321024        |
|      | Rim 17.5 X 6.75 (.19 Inset) (Requires Clamp Ring) | 341050        |

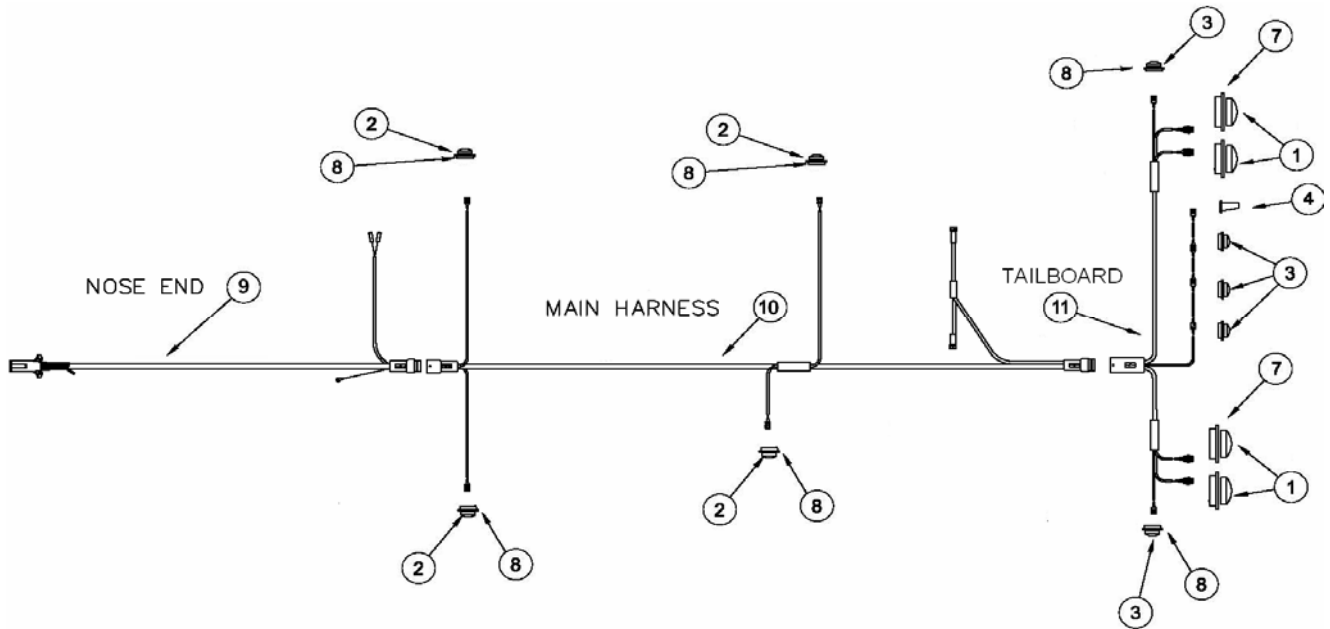
## Eager Beaver Trailers SK7 with 12" x 2.5" Wide Electric Brakes



| Item | Description                         | Part #     |
|------|-------------------------------------|------------|
| 1    | LH Shoe & Lining Kit                | K71-497-00 |
| 1    | RH Shoe & Lining Kit                | K71-496-00 |
| 2    | Backing Plate                       | 036-119-02 |
| 3    | Shoe Return Spring (Grey)           | 2062049    |
| 4    | LH Actuating Arm                    | 047-124-01 |
| 4    | RH Actuating Arm                    | 047-125-01 |
| 5    | Wire Clip                           | 2060742    |
| 6    | LH Leaver Arm Retainer              | 2057557    |
| 6    | RH Leaver Arm Retainer              | 2057558    |
| 7    | Flange Nut                          | 2060351    |
| 8    | Magnet Kit (includes Clip & Spring) | K71-441-00 |
| 8A   | Magnet Retainer (comes with Item 8) | 2059419    |
| 8B   | Magnet Spring (comes with Item 8)   | 2059420    |
| 9    | Centering Spring (2 required)       | 2062050    |
| 10   | Adjuster Spring (red)               | 2054621    |
| 11   | Adjuster Assembly                   | 048-017-00 |
| 12   | Washer                              | 005-142-00 |
| 13   | Wire Grommet *                      | 2054843    |
| 14   | Adjuster Slot Rubber Plug *         | 2054842    |
| 15   | Dust Shield *                       | 036-118-20 |
|      | Complete Brake Assy LH              | 023-428-00 |
|      | Complete Brake Assy RH              | 023-429-00 |

\* Not Included with Complete Brake Assembly

**MODEL SK**  
**POSTIVE LOCK UNDER SEAL (P.L.U.S.) HARNESS**  
**AND LED LIGHTS PARTS LIST**



| Item  | Part no | Qty | Description                         |
|-------|---------|-----|-------------------------------------|
| 1     | 2062094 | 4   | S/T/T "LED" LIGHT                   |
| 2     | 2062095 | 4   | 2.5" AMBER LED MARKER LIGHT         |
| 3     | 2062093 | 5   | 2.5" RED LED MARKER LIGHT           |
| 4     | 2057075 | 1   | LICENSE PLATE LIGHT (NON LED) (STD) |
| 5 & 6 |         |     | not used                            |
| 7     | 2057067 | 4   | GROMMET, BLACK S/T/T 4"             |
| 8     | 2057069 | 9   | GROMMET, MARKER 2.5"                |
| 9     | 392501  | 1   | SK NOSE END PLUS LED                |
| 10    | 392512  | 1   | SK MAIN PLUS LED                    |
| 11    | 392522  | 1   | SK TAILBOARD PLUS LED               |

## Model SK6 and SK7 Miscellaneous Parts and Decals

| Description                                       | SK6      | SK7        |
|---|----------|------------|
| SK Single Acting Ramps (Wood, w Lock Mechanism)   | 980026   | 980026     |
| SK Single Acting Ramps (Ladder, w Lock Mechanism) | 980027   | 980027     |
| SK Ramp Spring                                    | 2062334  | 2062334    |
| SK Ramp Lock Pin, 1" Dia. X 22" Long              | 2060480  | 2060480    |
| SK Ramp Bar 1.5" Dia. x 30.5" L                   | 2060481  | 2060481    |
| SK Tailboard Fixed (Weld-On) Ramp Links           | 2060482  | 2060482    |
|   | 7K Swing | 12K Square |
| Jack Style  | Away     | Drop Leg   |
| Jack Part No                                      | 401039   | 2063018    |
| Jack Handle (20" long for sq jack)                | NA       | 2062328    |
| SK Nose Plate                                     | 141111   | 141111     |
| 1/2" x 8 Chain Anchor                             | 2059366  | 2059366    |
| 3/8" x 42" Safety Chain with Hook                 | 2054732  | 2054732    |

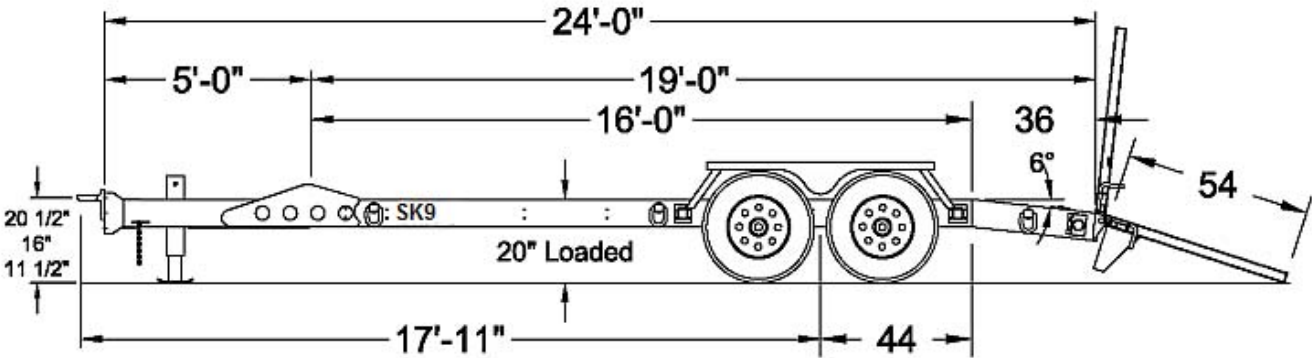
| DECAL DESCRIPTION              | Common Decals |         |
|--------------------------------|---------------|---------|
|                                | QTY           | PN      |
| TRAILER CONNECT WARNING        | 1             | 2059014 |
| SMALL BLUE E/B,GOLD            | 2             | 2062020 |
| "CHECK WHEEL LUG"              | 1             | 2059016 |
| TIRE INFLATION INFORMATION     | 2             | 2059162 |
| USA HARNESS DECAL              | 1             | 2062208 |
| CAUTION TRLR W/ELECT BRAKES    | 1             | 2062006 |
| CONSPICUITY STRIPING           | 18            | 2060608 |
| MODEL (SPECIFY "SK6" OR "SK7") | 2             | 440226  |
| WHITE STRIPING                 | 40            | 2061081 |

# Model SK8 and SK9

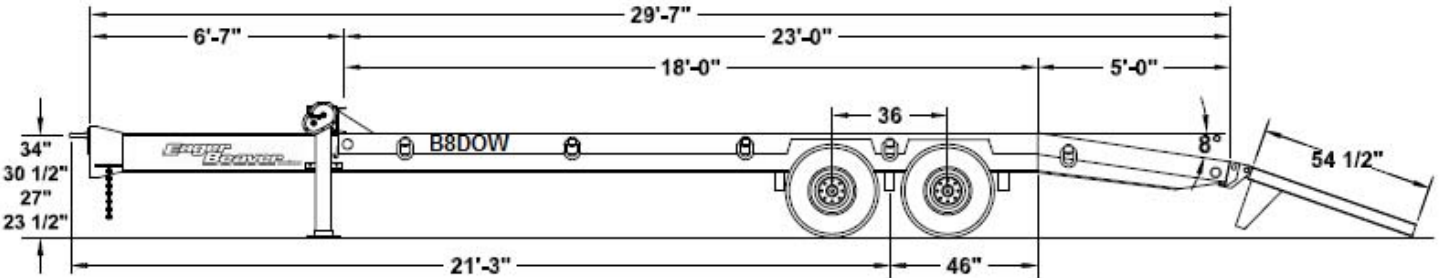
## Model B8DOW and Tandem B9DOW

# Parts Section

**Model: SK8 & SK9**



**Model: B8DOW & B9DOW**



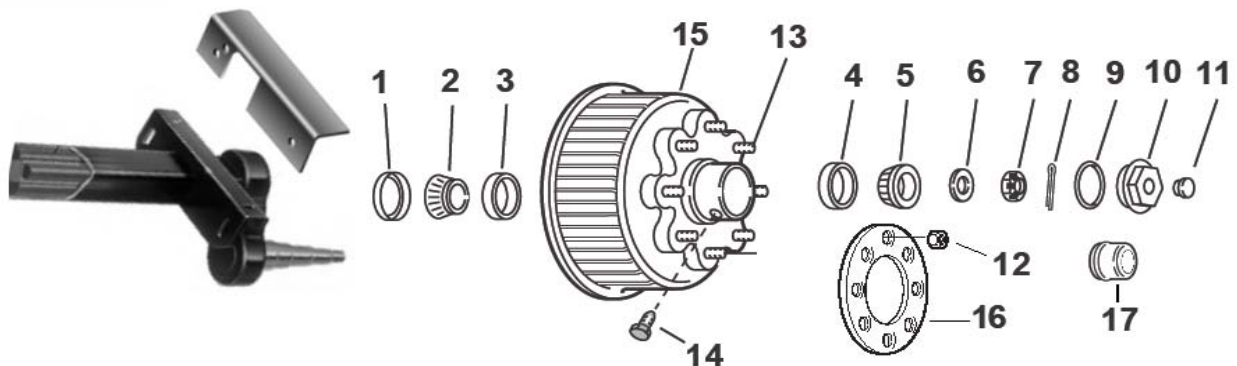


## Eager Beaver Trailers

### 8K Hub & Drum - 865 Hub Group, 3 3/8" Brakes

#### SK8 Hub & Drum (Grease Lube) With TORFLEX Suspension

#### B8DOW Hub & Drum (Oil or Grease Lube) w Leaf Spring Suspension



| Item | Description                        | Part #        |
|------|------------------------------------|---------------|
|      | Axle Beam TORFLEX 13               | Special Order |
| 1    | Seal                               | 2057206       |
| 2    | Inner Bearing, 205580              | 2054855       |
| 3    | Inner Race, 205520                 | 2054856       |
| 4    | Outer Race, 02420                  | 031-028-01    |
| 5    | Outer Bearing, 02475               | 031-028-02    |
| 6    | Spindle Washer                     | 2054604       |
| 7    | Spindle Nut                        | 006-176-00    |
| 8    | Cotter Pin                         | 019-002-00    |
| 9    | O-Ring (Oil Lube) (pre 2000)       | 2057216       |
| 10   | Oil Cap (Oil Lube) (pre 2000)      | 2057217       |
| 11   | Oil Cap Plug (Oil Lube) (pre 2000) | 2057515       |
| 12   | Nut, 5/8"-18, 90° Cone *           | 2057646       |
| 13   | 5/8"-18 Stud                       | 2060314       |
| 14   | Oil Drain Plug                     | 2057519       |
| 15a  | Hub, Oil Lube w 5/8" Studs         | 2060226       |
| 15b  | Hub, Grease Lube w 5/8" Studs      | 008-285-08    |
| 16   | Clamp Ring (use w 90° Cone nut) *  | 2057083       |
| 17   | Cap (Grease Lube) (begin 2000)     | 2057105       |
|      | Rim 17.5 X 6.75 (.19 Inset)        | 2057647       |
|      | Complete TORFLEX 13 Axle           | Special Order |
|      | Complete B8DOW Axle (Grease)       | 331028        |

\* Pre 2000 B8DOW Wheel Mount Alternative (no Clamp Ring used)

|                       |         |
|-----------------------|---------|
| Flange Nut, 5/8" - 18 | 2057517 |
|-----------------------|---------|

**SK9 With TORFLEX Suspension & Tandem Axle B9DOW with Leaf Springs**

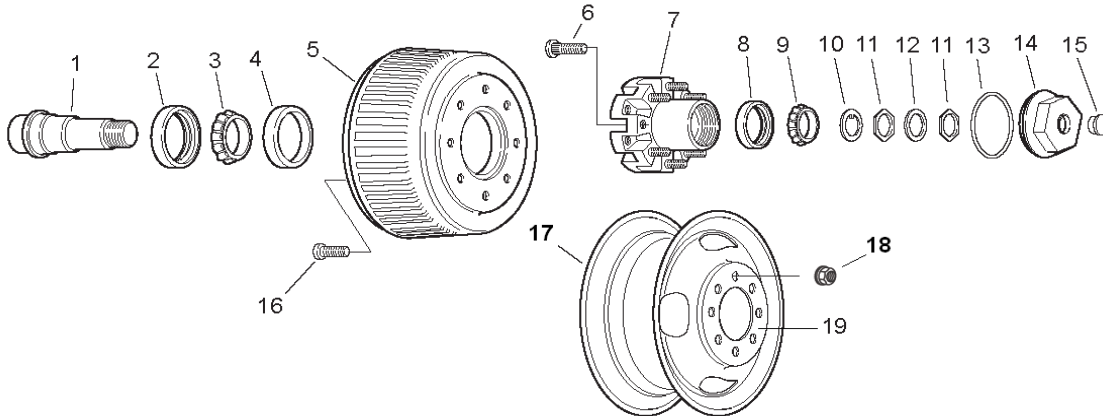
**Two-Piece Hub & Drum (used from Feb 1990 until Aug 2009) \***

**One-Piece Hub & Drum (used Aug 2009 - May 2013) \***

**New Design Two-Piece Hub & Drum introduced May 2013**

**New Design 2-Piece Hub & Drum is NOT interchangeable with the pre-2009 2-piece design**

**-- Note: Two-Piece Hub & Drum Shown --**

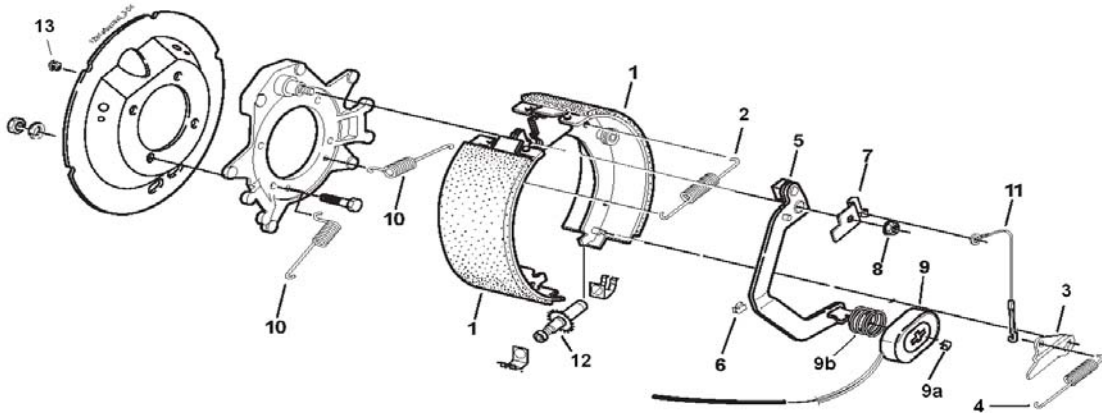


| Item | Description                        | Pre Aug 2009<br>2-Piece Hub &<br>Drum | Aug 2009-May<br>2013 1-Piece Hub<br>& Drum | Begin May 2013<br>2-Piece Hub &<br>Drum |
|------|------------------------------------|---------------------------------------|--|---|
| 1    | Axle Beam TORFLEX 13G (SK9)        | <b>Special Order</b>                  | <b>Special Order</b>                       | <b>Special Order</b>                    |
|      | Axle Beam 9K Straight (B9DOW)      | <b>Special Order</b>                  | <b>Special Order</b>                       | <b>Special Order</b>                    |
| 2    | Seal                               | 2059252                               | 2059252                                    | 2059252                                 |
| 3    | Inner Bearing                      | 2057510                               | 2057510                                    | 2057510                                 |
| 4    | Inner Race                         | 2057509                               | 2057509                                    | 2057509                                 |
| 5    | Drum (2-Piece use only)            | 2059257                               | NA   | 009-123-01                              |
| 6    | Stud, 5/8"-18                      | 2057589                               | 2057589                                    | 2057589                                 |
| 7    | Hub, Hi-profile (2-Piece use only) | 2059256                               | NA   | 008-430-03                              |
|      | One-Piece Hub & Drum Assy          | NA                                    | 008-415-02                                 | NA                                      |
| 8    | Outer Race                         | 2054856                               | 2054856                                    | 2054856                                 |
| 9    | Outer Bearing                      | 2054855                               | 2054855                                    | 2054855                                 |
| 10   | Spindle Washer                     | 2060354                               | 2060354                                    | 2060354                                 |
| 11   | Spindle Nut                        | 2060352                               | 2060352                                    | 2060352                                 |
| 12   | Tang Washer                        | 2059261                               | 2059261                                    | 2059261                                 |
| 13   | Oil Cap O-Ring                     | 2057513                               | 2059373                                    | 2059373                                 |
| 14   | Oil Cap                            | 2059371                               | 2059372                                    | 2059372                                 |
| 15   | Oil Cap Plug                       | 2057515                               | 2057515                                    | 2057515                                 |
| 16   | Drum Mounting Bolt                 | 2057518                               | NA   | 2057518                                 |
| 17   | Rim 17.5 X 6.75 (.19 Inset)        | 2057647                               | 2057647                                    | 2057647                                 |
| 18   | Nut, 5/8" - 18, 90° Cone           | 2057646                               | 2057646                                    | 2057646                                 |
| 19   | Clamp Ring (use with 90° Cone nut) | 2057083                               | 2057083                                    | 2057083                                 |
|      | SK9 Complete Torflex 13G 93.5" HF  | <b>use 331023</b>                     | <b>use 331023</b>                          | 331023                                  |
|      | B9DOW Complete 9K 85.38" Hubface   | <b>use 331035</b>                     | <b>use 331035</b>                          | 331035                                  |

\* Replaced by new style 2-piece hub & drum effective May 2013

\* Same 7 Bolt Hole Brake Assembly used in both 1 and 2-Piece Hub & Drums

**Eager Beaver Trailers SK-8, SK-9 & Tandem Axle B8 & B9DOW \***  
 Cast Steel Brake Backing Plate with 12 1/4" x 3 3/8" Shoes  
**4 Hole Backing Plate (SK-8); 7 Hole Backing Plate (SK-9/B9DOW\*)**



| Item Description                  | SK8-B8DOW  | SK9-B9DOW* |
|-----------------------------------|------------|------------|
|                                   | Part #     | Part #     |
| 1 Shoe & Lining Kit LH            | 2062069    | 2062069    |
| Shoe & Lining Kit RH              | 2062070    | 2062070    |
| 2 Shoe Return Spring              | 2062049    | 2062049    |
| 3 Adjuster Lever LH               | 2062052    | 2062052    |
| Adjuster Lever RH                 | 2062053    | 2062053    |
| 4 Adjuster Spring                 | 2062054    | 2062054    |
| 5 Actuator Arm LH                 | 2059349    | 2059349    |
| Actuator Arm RH                   | 2059350    | 2059350    |
| 6 Wire Clip                       | 2060742    | 2060742    |
| 7 Actuator Arm Retainer LH        | 2057557    | 2057557    |
| Actuator Arm Retainer RH          | 2057558    | 2057558    |
| 8 Flange Nut                      | 2060351    | 2060351    |
| 9 Magnet Kit                      | K71-375-00 | 2059353    |
| 9a Magnet Clip                    | 2059419    | 2059419    |
| 9b Magnet Spring                  | 2059420    | 2059420    |
| 10 Centering Spring (2 per brake) | 2062050    | 2062050    |
| 11 Adjuster Cable                 | 2062051    | 2062051    |
| 12 Adj Screw Assy LH              | 2062055    | 2062055    |
| Adj Screw Assy RH                 | 2062056    | 2062056    |
| 13 Wire Grommet                   | 2054843    | 2054843    |
| Complete Brake Assy LH            | 2057209    | 2059187    |
| Complete Brake Assy RH            | 2057210    | 2059188    |

\* Applicable to Tandem Axle B9DOW only, Not Tri-Axle B9DOW