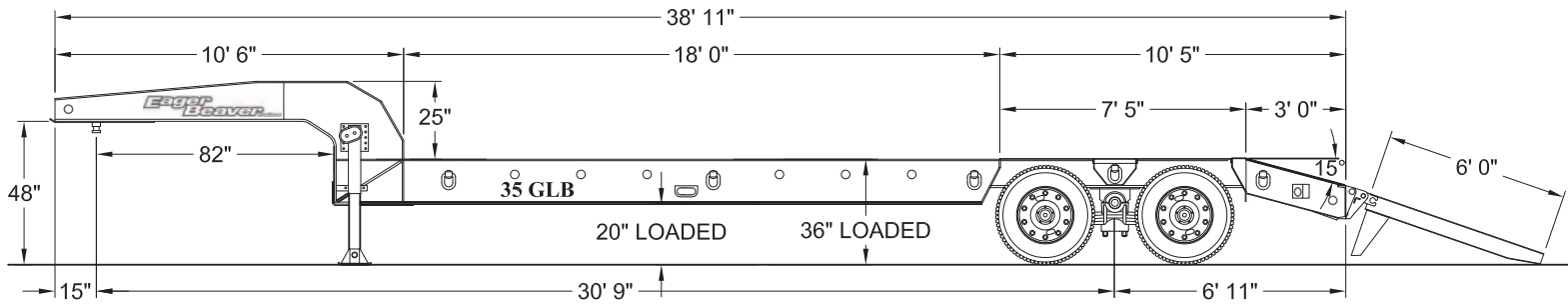


35 GLB 35 Ton Fixed Gooseneck - B.T. & Ramps - ABS Air Brake Axles



SPECIFICATIONS

Capacity: 70,000 lbs. **Trailer Weight:** 13,900 lbs.

Deck	Width 8 ft. 6 in. Length: 18 ft. Height: 36 in. (Loaded) Overall Length: 38 ft. 11 in.
Frame	(4) 16" Fabricated I-Beam, 80,000 psi Steel
Crossmembers	10" x 9 lbs. per ft. I-Beam, pierced through mainbeam
Decking	1½" Apitong (Full Width)
Wiring Harness	Sealed L.E.D. Lights & USA Star PLUS Sealed Modular Wiring Harness w/ 7-Way ATA Plug
Parking Jack	(2) Two-Speed Landing Gear
Tie Down	Five per side - Patented "ROTO RINGS"® Swivel 360°
Colors	Black, Yellow, Blue (standard) Imron Paint

RUNNING GEAR

Tires	Eight 255/70R22.5 (H) Steel Belted Radial
Hubs/Wheels	Four Disc Type Hubs, Eight 8.25 x 22.5 Disc Type Wheels, Stemco Oil Seals, Hub Piloted
Suspension	Hutch H-900-50 Single Point 50,000 lbs. capacity tandem
Axles	Two 5" diameter 25,000 lbs. each, H.M. series bearings
Brakes	16 1/2" x 7" Air, "S" Cam., Auto Slack Adjusters
ALL WHEEL ABS	Anti-lock brake system 4S2M, Sensors on All Wheels, Two modulator valves
Parking Brake	Spring Brakes on All Wheels

OPTIONS

Additional Deck Length & Width:	(19'-20'-21'-22'-23'-24'-25' Optional Lengths) (96" Optional Width)
Gooseneck Length:	(82", 86", 90", 94", 98" and 102" available as Std.) (For special lengths contact sales)
Gooseneck Fenders	
Motor Grader-Ramps	
Full Width Gooseneck Additional	
"ROTO-RINGS"®	
Spare Tire & Disc Wheel	255/70R22.5 (H) Optional: Spare Tire Carrier
Low Profile:	33" Loaded Deck Height, 265/70R19.5 Tires and 7.5 x 19.5 Disc Type Wheels (15 x 8 5/8 Brakes)
Wheel Covers (Flush)	
Ramps:	Wood (Standard) Ladder (Optional N/C)
Oak Decking in lieu of Apitong	
Paint (other than standard Black, Yellow, Blue)	Price on Request



Call (800) 257-8163 for more information