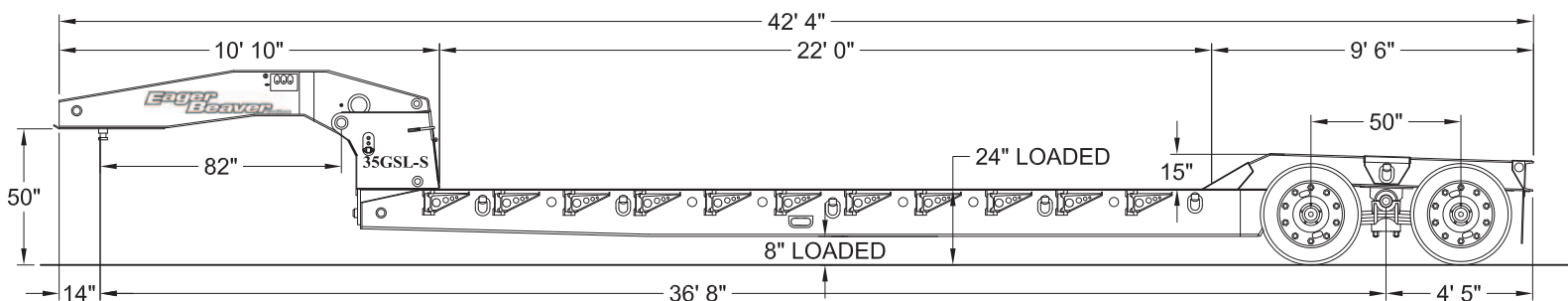


35 GSL-S

35 Ton Self-Lifting Detachable Lowboy - ABS Air Brake Axles



SPECIFICATIONS

Capacity: 70,000 lbs. **Trailer Weight:** 15,900 lbs.

Deck Width	8 ft. 6 in. Length: 22 ft. Height: 24 in. (Loaded)
Frame	Mainrails: Four fabricated 16" Deep cambered I-Beam, 80,000 P.S.I. steel
Crossmembers	10" x 9 lbs. per ft. I-Beam, pierced through mainbeam (18" spacing Std.)
Gooseneck Length	82", 86", 90", 94", 98" and 102" available (For special lengths contact sales)
Decking	1 1/2" Apitong Decking With Expanded Metal Center
Wiring Harness	Sealed L.E.D. Lights & USA Star PLUS Sealed Modular Wiring Harness w/ 7-Way ATA Plug
Front Ramps	Front Flip Steel w/ Grousers (Wood filled is available)
Hydraulics	Wetline hook-up for tractor PTO operation • REQUIREMENT: Low Flow/High Pressure System
Hydraulic Cylinders	Two Main 6", One 3" Locking, One 4" Gooseneck Support
Controls	Control Valve eye level
Tie Down	6 per side - Patented "ROTO RINGS"® Swivel 360°
Outriggers	Cast Steel (Locks both in and out position)
Colors	Black, Yellow, Blue (standard) Imron Paint

RUNNING GEAR

Tires	Eight 255/70R22.5 (H) Steel Belted Radial
Hubs/Wheels	Four Disc Type Hubs, Eight 8.25 x 22.5 Disc Type Wheels, Stemco Oil Seals, Hub Piloted
Suspension	Hutch H-900-50 Single Point, capacity 50,000 lbs. tandem
Axles	Two 5" diameter 25,000 lbs. each, H.M. series bearings
Brakes	16 1/2" x 7" Air, "S" Cam., Auto Slack Adjusters
ALL WHEEL ABS	Anti-lock brake system 4S2M, Sensors on All Wheels, Two modulator valves
Parking Brake	Spring Brakes on All Wheels

OPTIONS

- Additional Deck Length: (23'-24'-25'-26' Optional Lengths)
- Additional Deck Width: (108" w/ 102" axles or 108" axles) - (120" w/ 120" axles)
- Gooseneck Fenders
- Power Pack: 11hp, 12hp Kohler, 13hp Honda, or 16hp Kohler (Combination Power Pack/Wet Kit Available)
- Lockable Tool & Chain Storage: Forward center deck area (1 or 2 compartments)
- Additional "ROTO-RINGS"®
- Spare Tire & Disc Wheel 255/70R22.5 (H) Optional: Spare Tire Carrier
- Tire & Disc Wheel 275/70R22.5 (H) Upgrade
- Wheel Covers (Raised)
- Suspension - Air Ride (2) Axle (Combined Capacity 50,000 lbs.)
- Oak Decking in lieu of Apitong
- Paint (other than standard Black, Yellow, Blue) Price on Request



Call (800) 257-8163 for more information