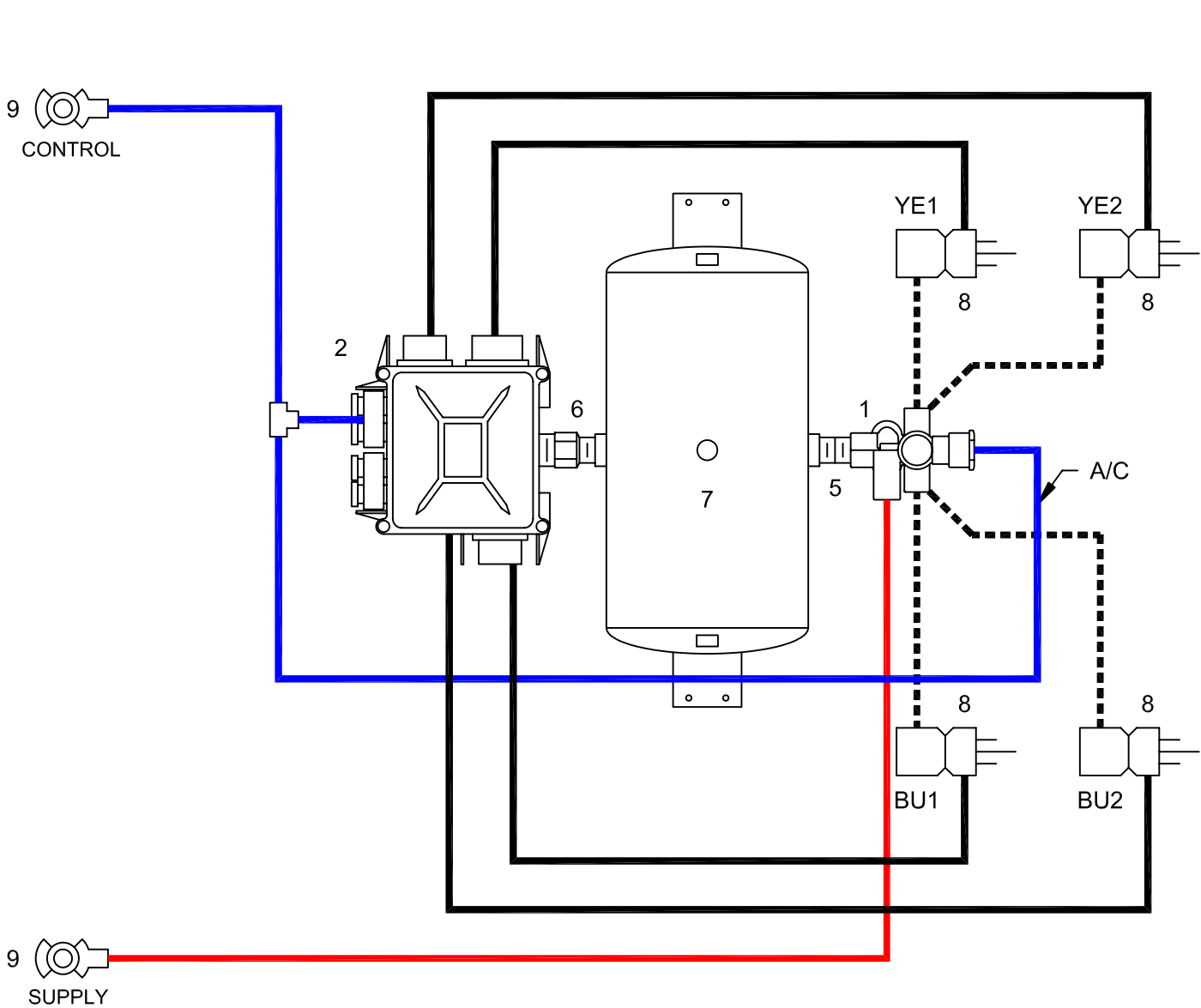
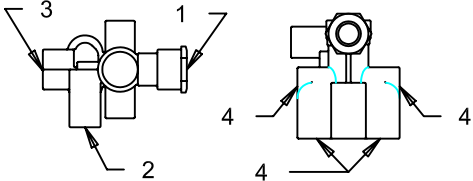


# 4S-2M Air System Schematic

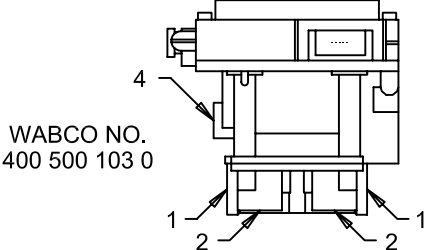


### SPRING BRAKE CONTROL VALVE



- SEALCO NO. 110800
- 1. CONTROL PORT (1)-3/8 N.P.T.
  - 2. SUPPLY PORT (1)-3/8 N.P.T.
  - 3. RESERVOIR PORT (1)-1/2 N.P.T.
  - 4. DELIVERY PORT (4)-3/8 N.P.T.

### ECU VALVE ASSEMBLY



- WABCO NO. 400 500 103 0
- 1. SUPPLY/RES PORT (2)-3/4 N.P.T.
  - 2. DELIVERY PORT (4)-3/8 N.P.T.
  - 4. CONTROL PORT (1)-1/4 N.P.T.

- CONTROL LINE (BLUE)
  - SUPPLY LINE
  - - - - - SPRING BRAKE
  - — — — — SERVICE BRAKE
- PLUG ALL UNUSED PORTS  
A/C ANTI COMPOUNDING